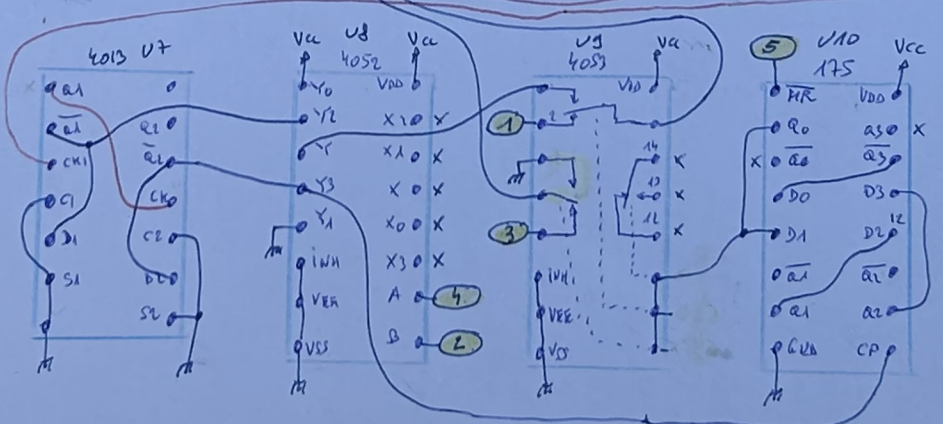
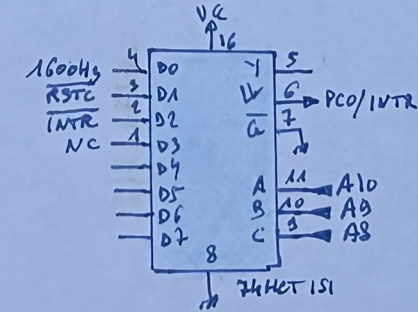
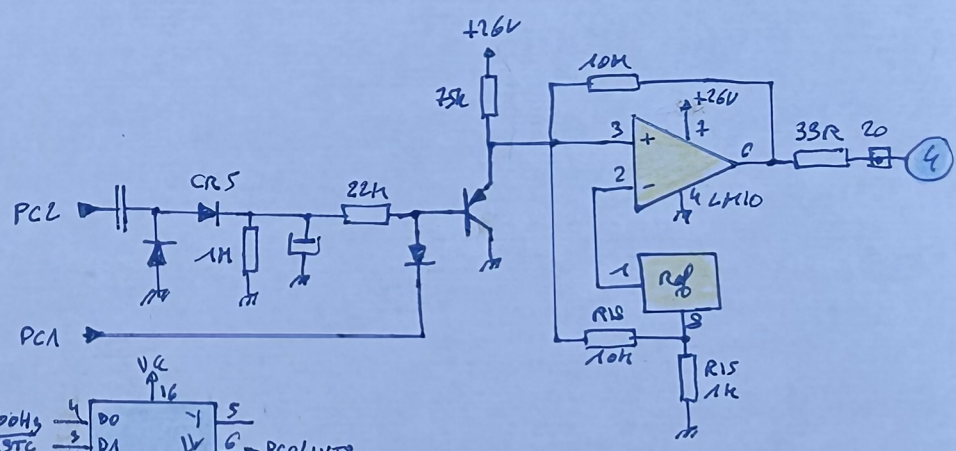
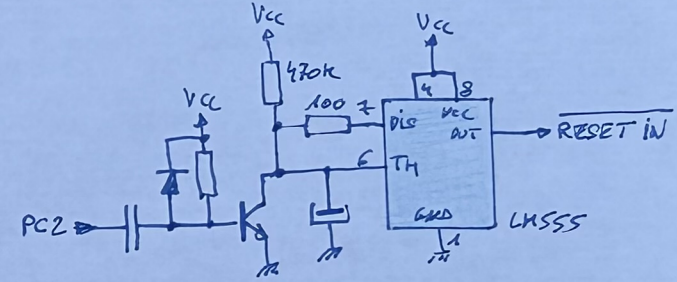
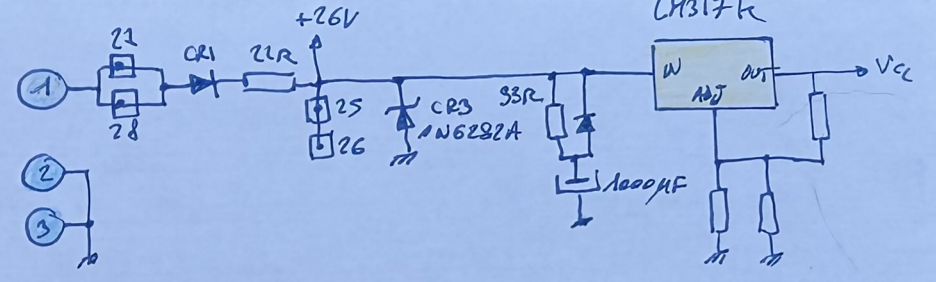
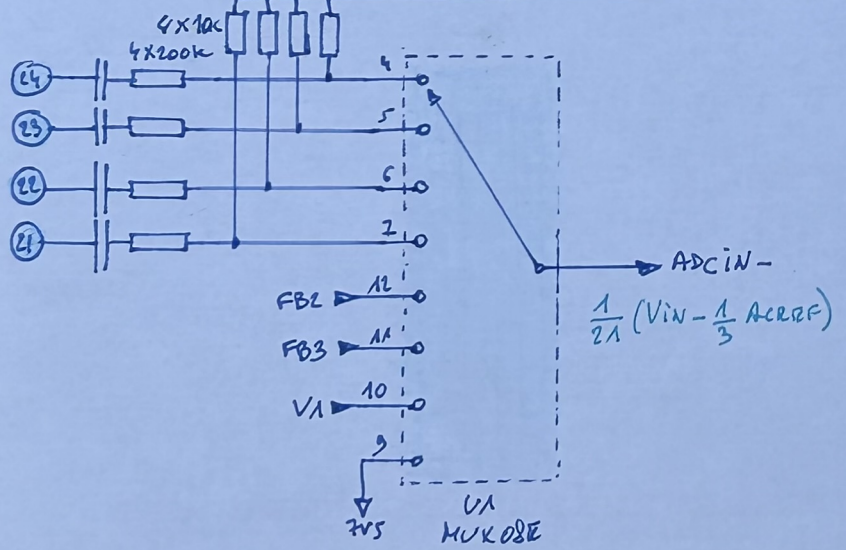
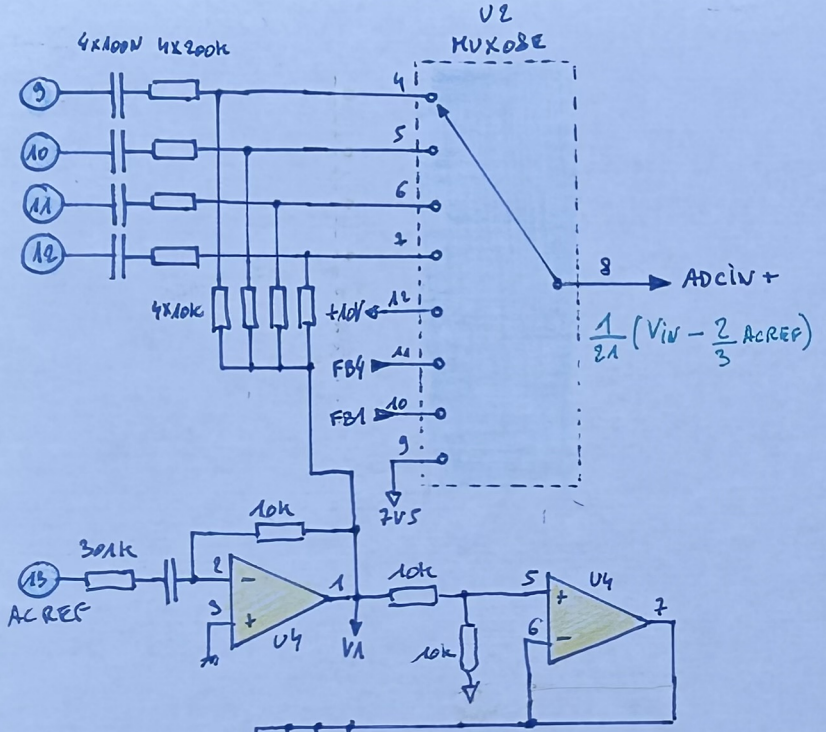


Out 18
Out 5
Out 6
17

Inputs 22/10
9/21
10
11/23





INTERFACE FUEL FLOW
86-8TJ50GBZ

INPUT MUX, POWER SUPPLY, WLD

Reverse Engineered by M.WALECZEK
APRIL 2026