

REVISION RECORD			
LTR	ECO NO:	APPROVED:	DATE:

D

D

C

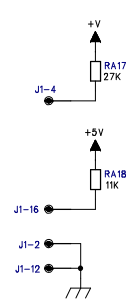
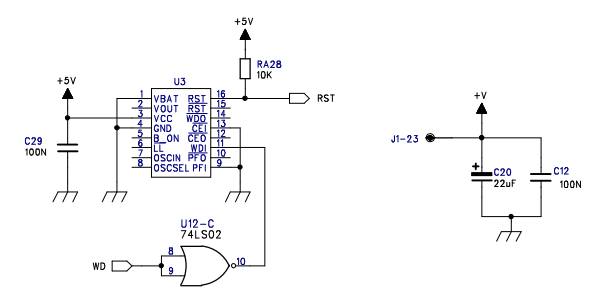
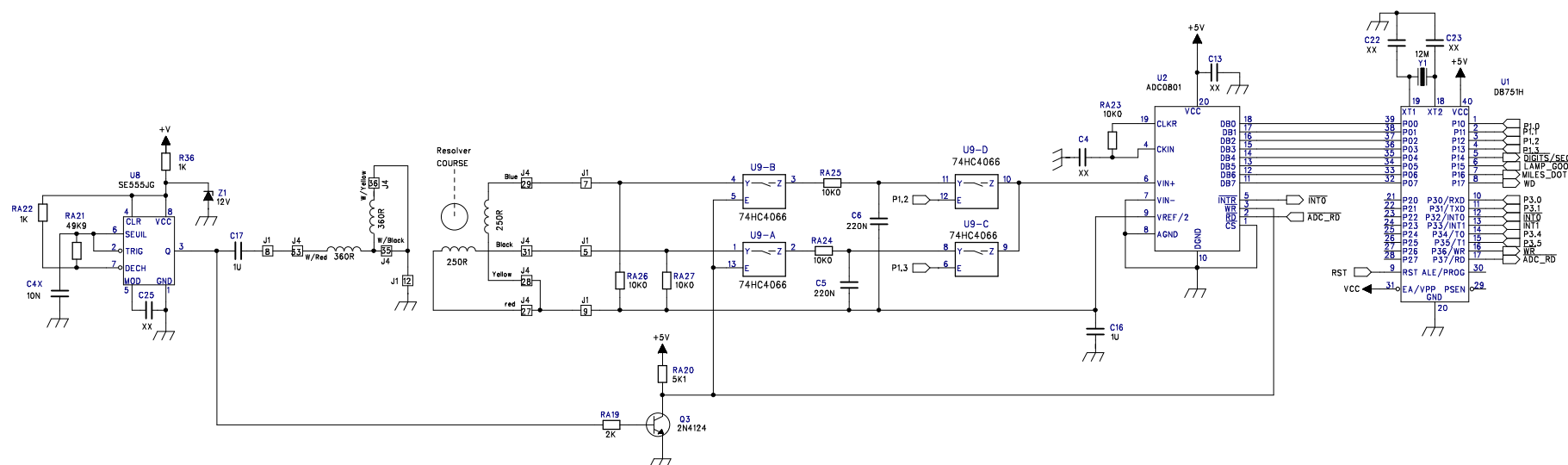
C

B

B

A

A



Reverse-engineered by M. Waleczek

COMPANY:		Le labo de Michel										
TITLE:		Horizontal Situation Indicator Aeronautics HSI-421D Course measurement										
DRAWN:	M. Waleczek	DATED:	08/11/2025	<table border="1"> <tr> <td>CODE:</td> <td>SIZE:</td> <td>DRAWING NO:</td> <td>REV:</td> </tr> <tr> <td> </td> <td> </td> <td>LDM433</td> <td>A</td> </tr> </table>	CODE:	SIZE:	DRAWING NO:	REV:			LDM433	A
CODE:	SIZE:	DRAWING NO:	REV:									
		LDM433	A									
CHECKED:		DATED:										
QUALITY CONTROL:		DATED:										
RELEASED:		DATED:										
SCALE:		SHEET: 1 OF 3										

6

5

4

3

2

1

D

D

C

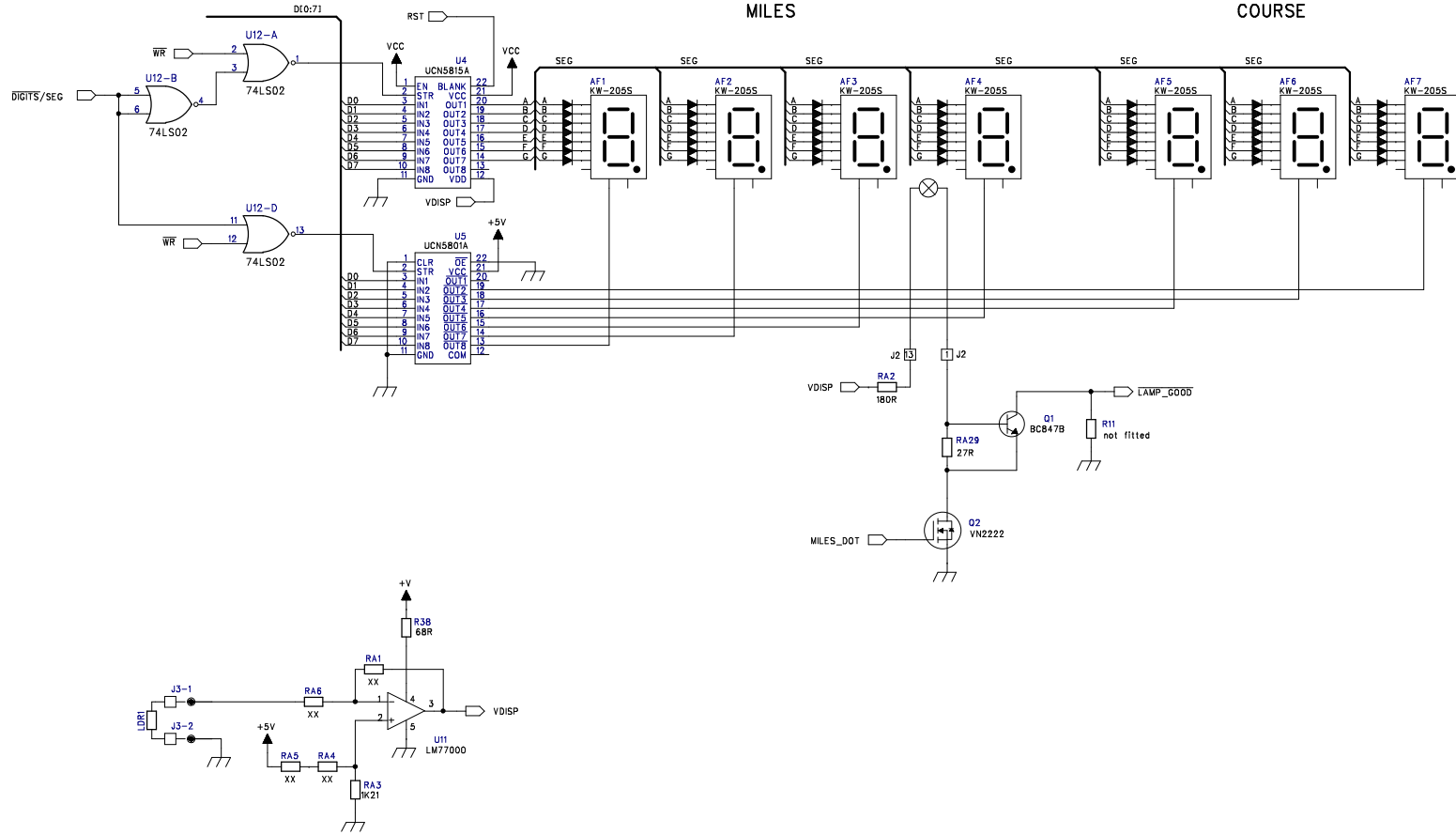
C

B

B

A

A



Reverse-engineered by M. Waleczek

COMPANY: Le labo de Michel

TITLE: Horizontal Situation Indicator
Aeronetics HSI-421D
Display

DRAWN: M. Waleczek	DATED: 08/11/2025
CHECKED:	DATED:
QUALITY CONTROL:	DATED:
RELEASED:	DATED:

CODE:	SIZE:	DRAWING NO: LDM433	REV: A
-------	-------	------------------------------	------------------

6

5

4

3

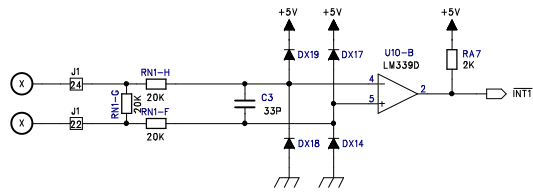
2

1

REVISION RECORD			
LTR	ECO NO:	APPROVED:	DATE:

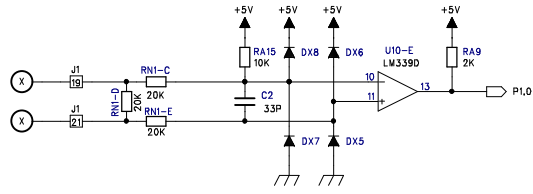
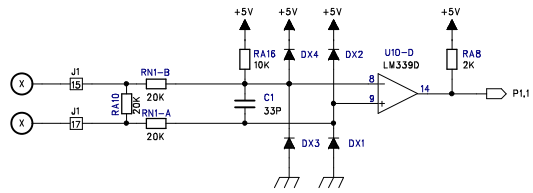
D

D



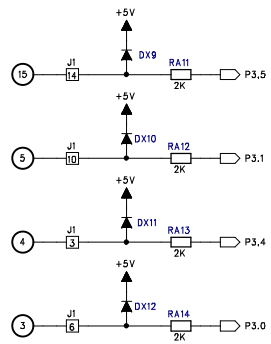
C

C

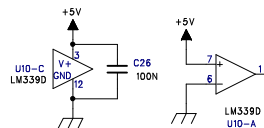


B

B



A



Reverse-engineered by M. Waleczek

COMPANY: Le labo de Michel

TITLE: Horizontal Situation Indicator
Aeronetics HSI-421D
interface

DRAWN: M. Waleczek	DATED: 08/11/2025
CHECKED:	DATED:
QUALITY CONTROL:	DATED:
RELEASED:	DATED:

CODE:	SIZE:	DRAWING NO: LDM433	REV: A
SCALE:			SHEET: 3 OF 3