

6

5

4

3

2

1

D

D

C

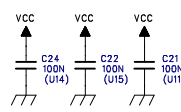
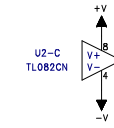
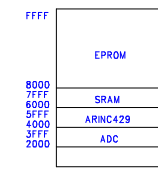
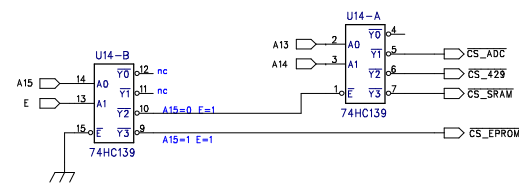
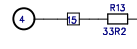
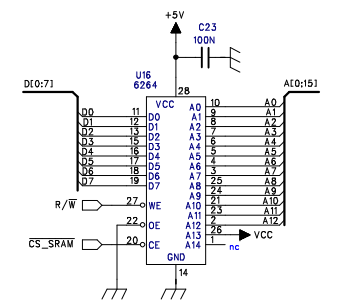
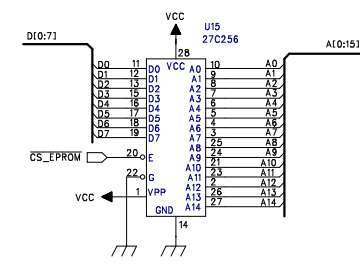
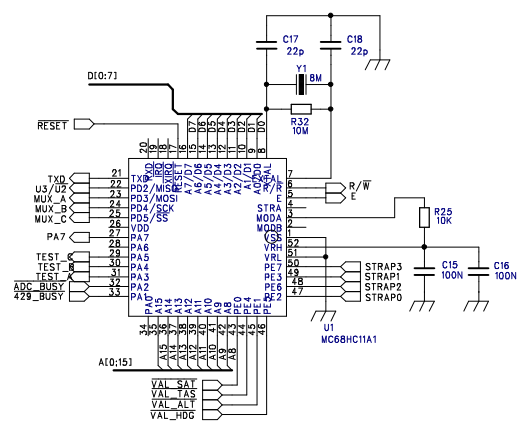
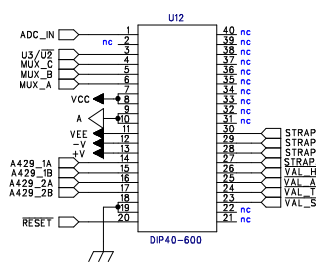
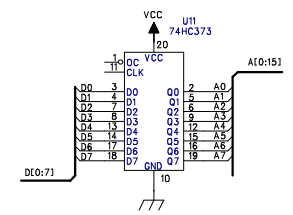
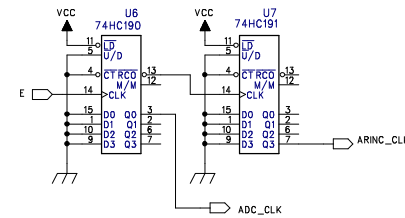
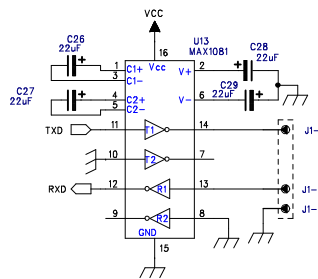
C

B

B

A

A



Reverse-engineered by M. Waleczek

COMPANY: Le labo de Michel

TITLE: Air Data Converter Unit CPU

DRAWN: M. Waleczek	DATED: 21/11/2025
CHECKED:	DATED:
QUALITY CONTROL:	DATED:
RELEASED:	DATED:

CODE:	SIZE:	DRAWING NO: LDM435	REV: A
SCALE:			SHEET: 1 OF 3

6

5

4

3

2

1

REVISION RECORD			
LTR	ECO NO:	APPROVED:	DATE:

D

D

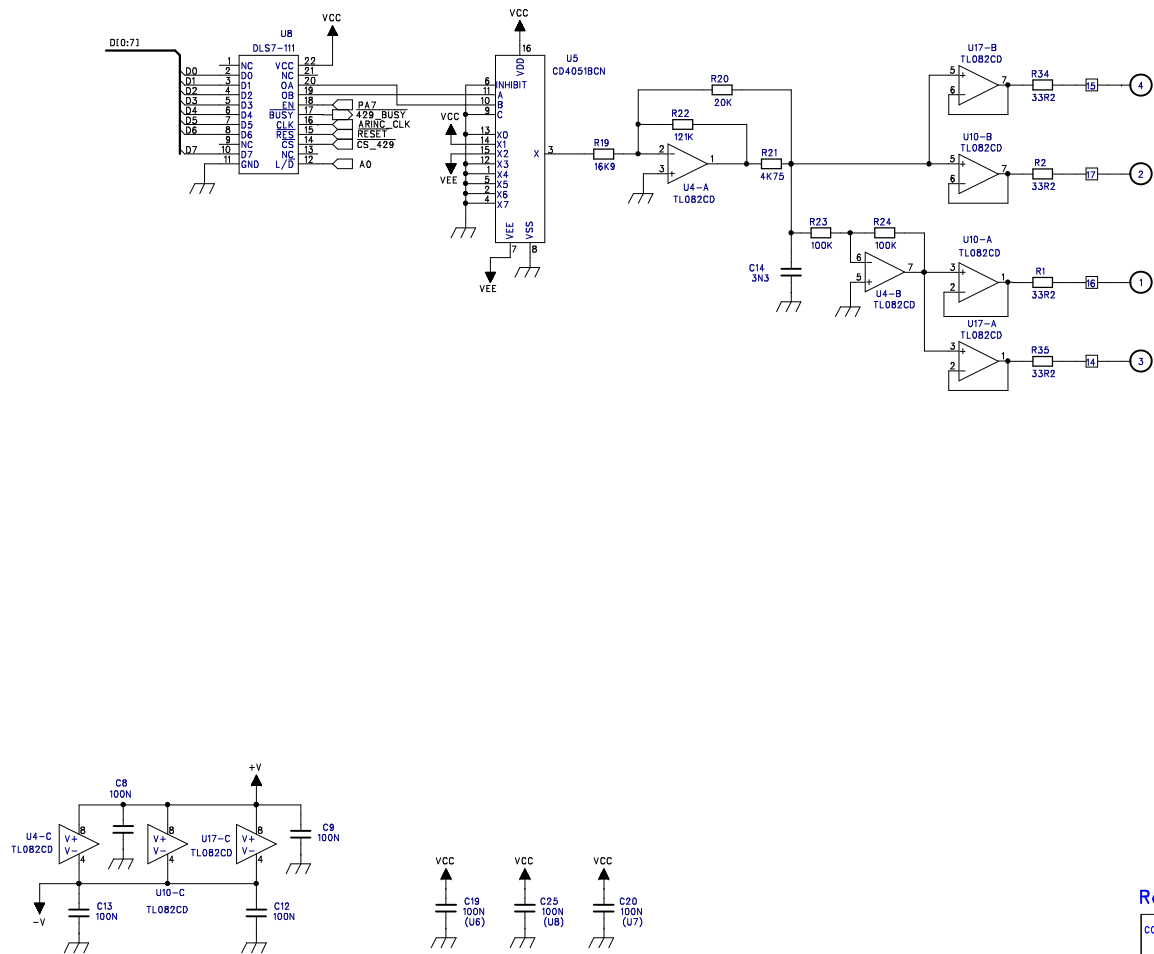
C

C

B

B

A



Reverse-engineered by M. Waleczek

COMPANY: Le labo de Michel			
TITLE: Air Data Converter Unit ARINC 429 Interface			
CODE:	SIZE:	DRAWING NO: <b>LDM435</b>	REV: <b>A</b>
SCALE:			SHEET: 1 OF 2

DRAWN: M. Waleczek	DATED: 21/11/2025
CHECKED:	DATED:
QUALITY CONTROL:	DATED:
RELEASED:	DATED:

6

5

4

3

2

1

REVISION RECORD			
LTR	ECO NO:	APPROVED:	DATE:

D

D

C

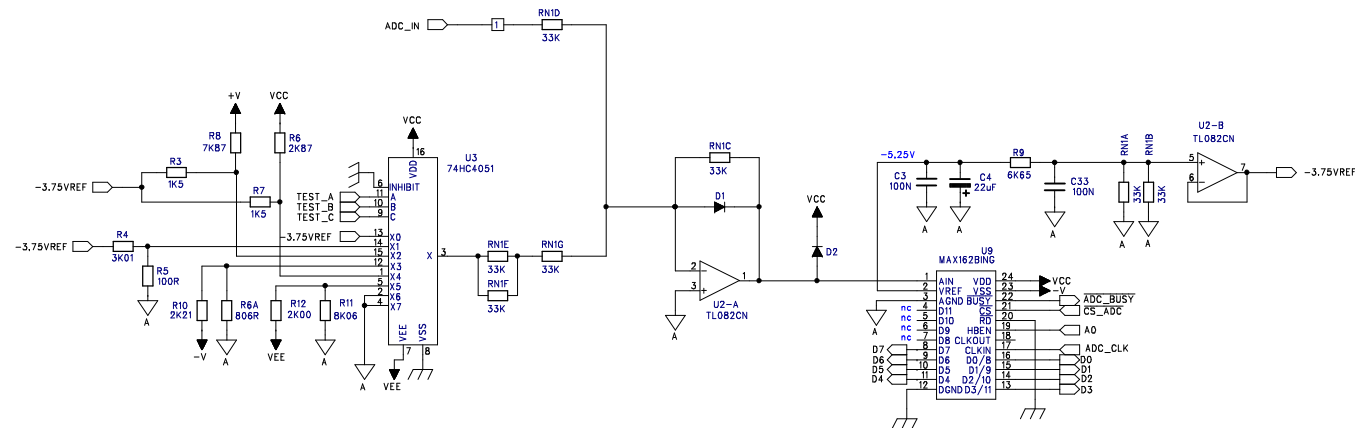
C

B

B

A

A



C	B	A			
0	0	0	X0	VREF	
0	0	1	X1	0.1V	
0	1	0	X2	+11V	
0	1	1	X3	-11V	
1	0	0	X4	+5V	
1	0	1	X5	-5V	
1	1	0	X6	0V	
1	1	1	X7	0V	

Reverse-engineered by M. Waleczek

COMPANY: Le labo de Michel

TITLE: Air Data Converter Unit ADC

DRAWN: M. Waleczek	DATED: 21/11/2025
CHECKED:	DATED:
QUALITY CONTROL:	DATED:
RELEASED:	DATED:

CODE:	SIZE:	DRAWING NO: LDM435	REV: A
SCALE:			SHEET: 3 OF 3