

6

5

4

3

2

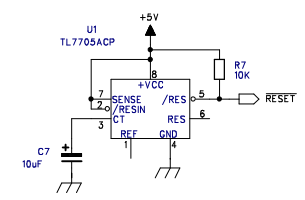
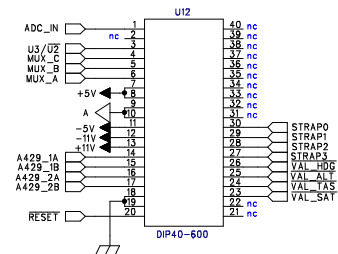
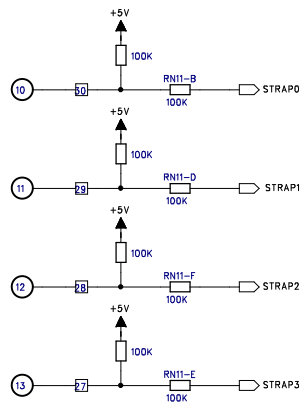
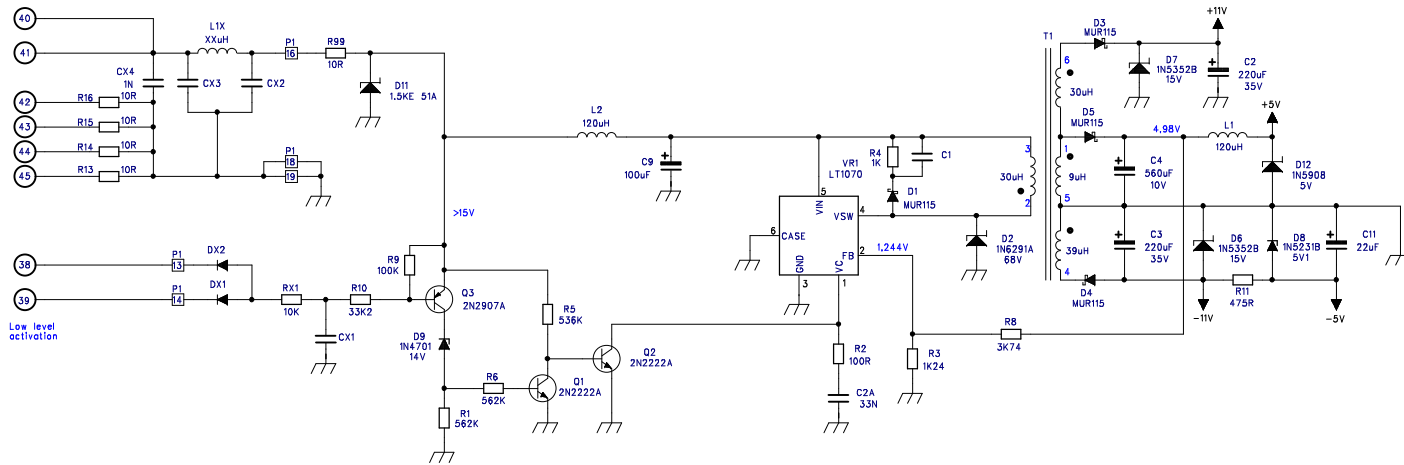
1

D

D

C

C



B

B

A

A

Reverse-engineered by M. Waleczek

COMPANY: Le labo de Michel

TITLE: Air Data Converter Unit Power supply

DRAWN: M. Waleczek	DATED: 24/11/2025
CHECKED:	DATED:
QUALITY CONTROL:	DATED:
RELEASED:	DATED:

CODE:	SIZE:	DRAWING NO: LDM435	REV: A
SCALE:			SHEET: 1 OF 3

6

5

4

3

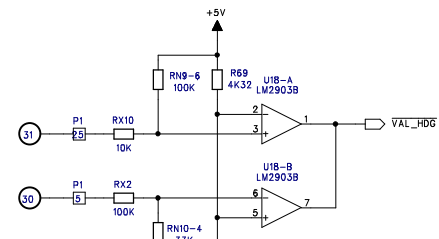
2

1

REVISION RECORD			
LTR	ECO NO:	APPROVED:	DATE:

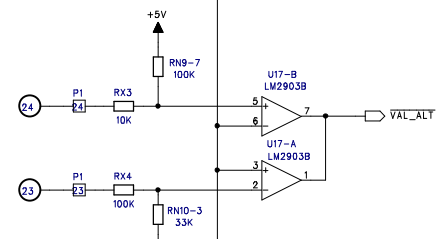
D

HDG VALIDATION



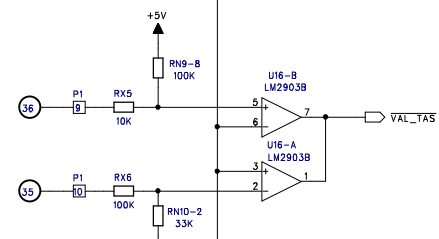
C

ALT VALIDATION



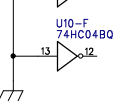
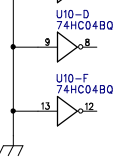
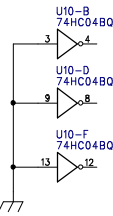
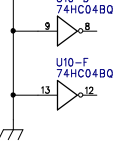
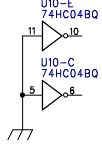
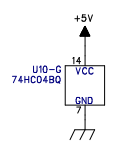
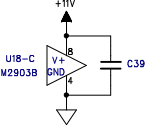
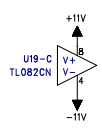
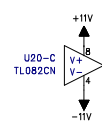
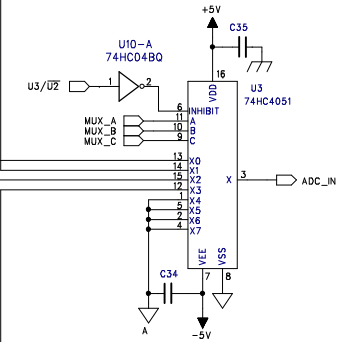
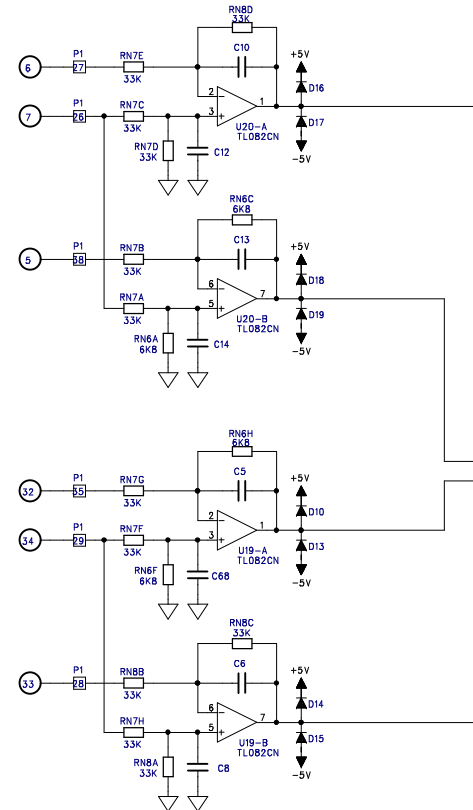
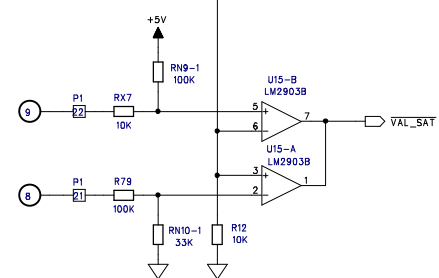
B

TAS VALIDATION



A

SAT VALIDATION



Reverse-engineered by M. Waleczek

COMPANY: Le labo de Michel

TITLE: Air Data Converter Unit ADC

DRAWN: M. Waleczek	DATED: 21/11/2025
CHECKED:	DATED:
QUALITY CONTROL:	DATED:
RELEASED:	DATED:

CODE:	SIZE:	DRAWING NO: LDM435	REV: A
SCALE:			SHEET: 2 OF 3

6

5

4

3

2

1

REVISION RECORD			
LTR	ECO NO:	APPROVED:	DATE:

D

D

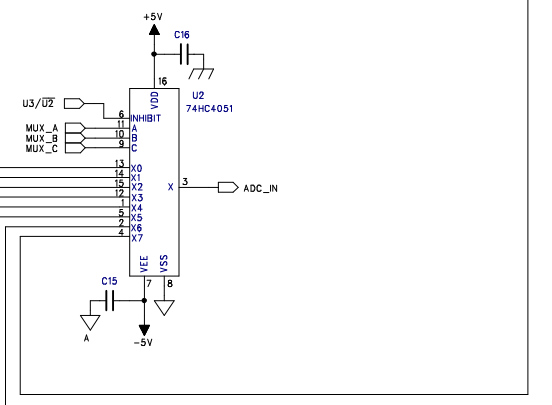
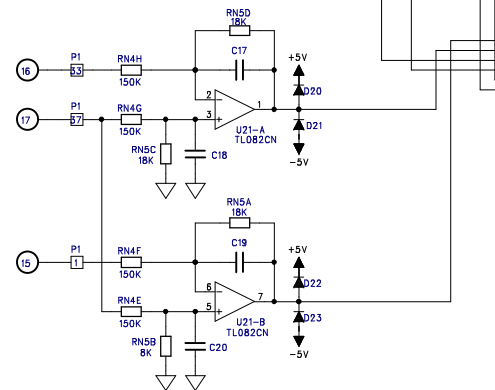
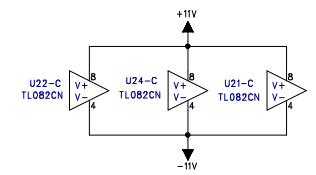
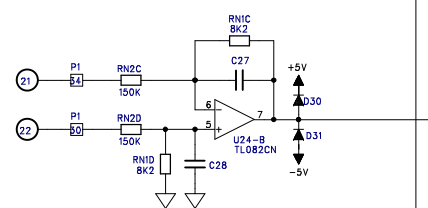
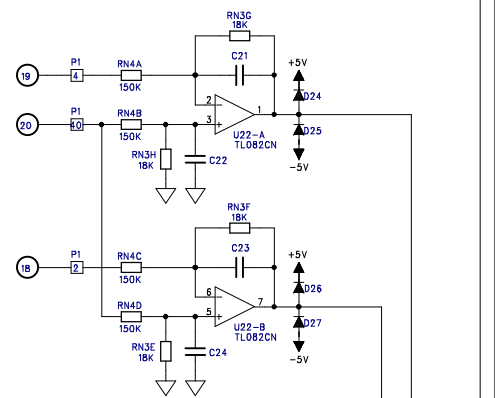
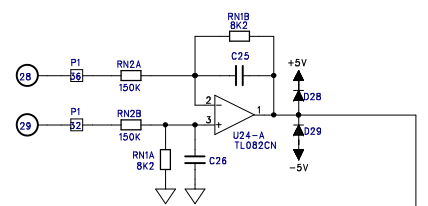
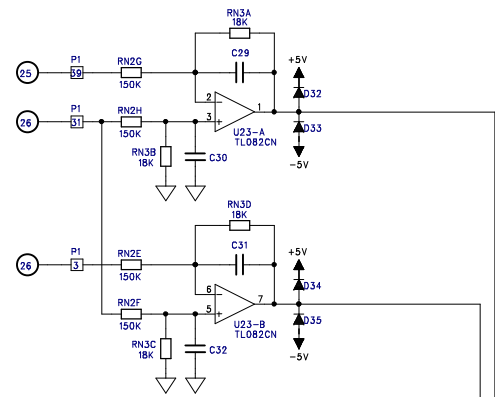
C

C

B

B

A



Reverse-engineered by M. Waleczek

COMPANY: Le labo de Michel

TITLE: Air Data Converter Unit Front-end B

DRAWN:	DATED:
CHECKED:	DATED:
QUALITY CONTROL:	DATED:
RELEASED:	DATED:

CODE:	SIZE:	DRAWING NO:	REV:
		LDM435	A
SCALE:			SHEET: 3 OF 3