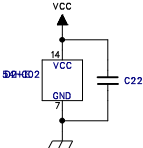
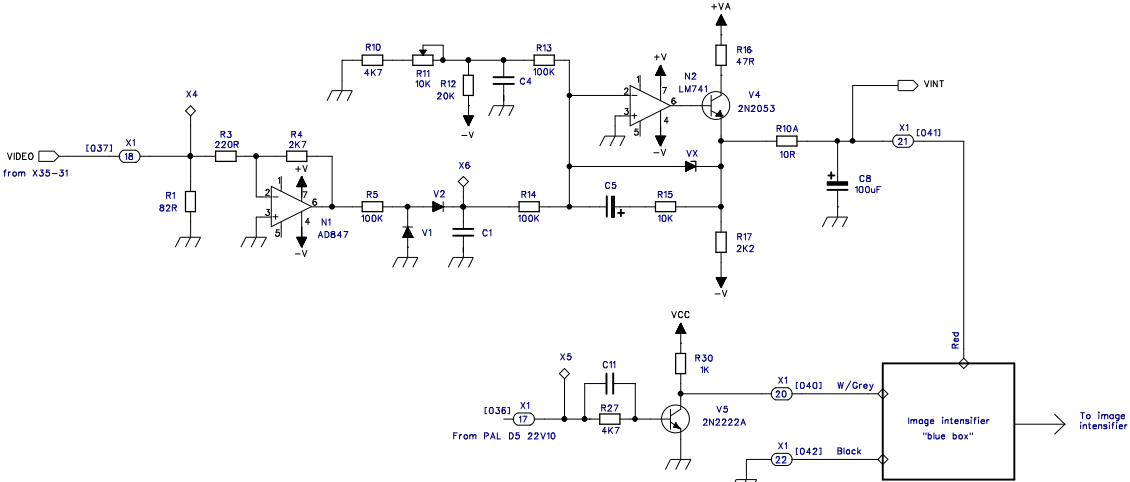
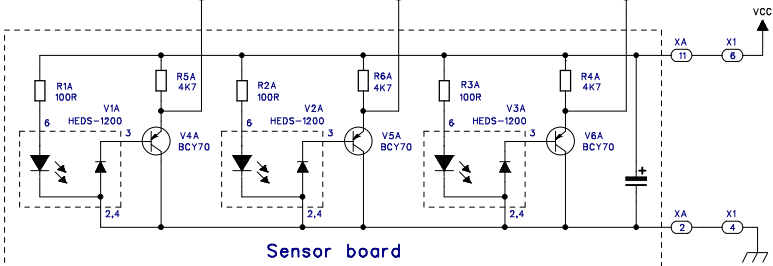
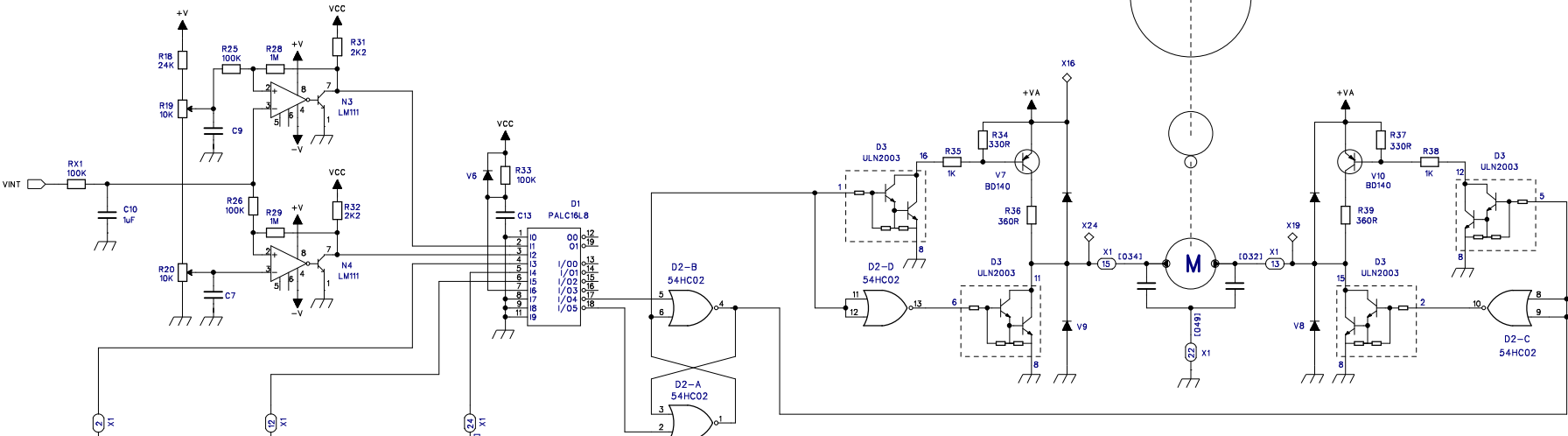
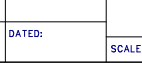
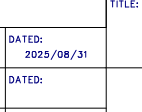
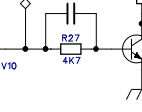
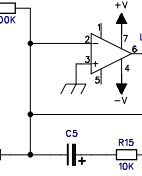
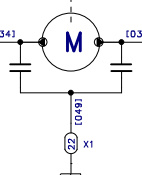
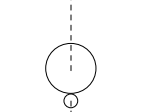
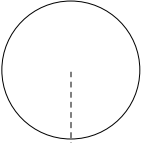


REVISION RECORD			
LTR	ECD NO:	APPROVED:	DATE:

Variable filter



Reverse-engineered by M. Walczek

COMPANY: Le labo de Michel

TITLE: LOW LIGHT CAMERA AGC & FILTER DRIVE PWA AGC and Filter drive circuits

DRAWN: M. Walczek	DATED: 2025/08/31	CODE:	SIZE:	DRAWING NO: LDM423	REV: A
CHECKED:	DATED:				
QUALITY CONTROL:	DATED:				
RELEASED:	DATED:				