

6

5

4

3

2

1

D

D

C

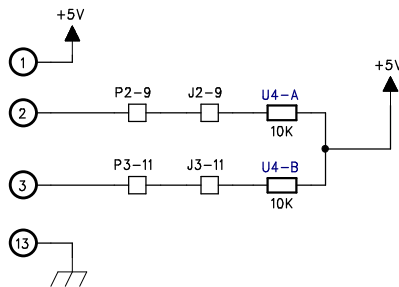
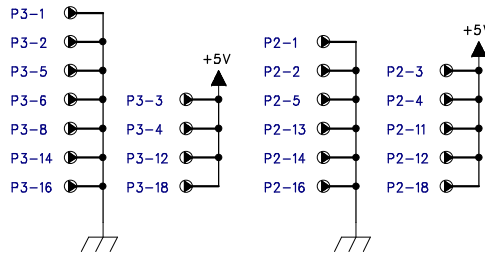
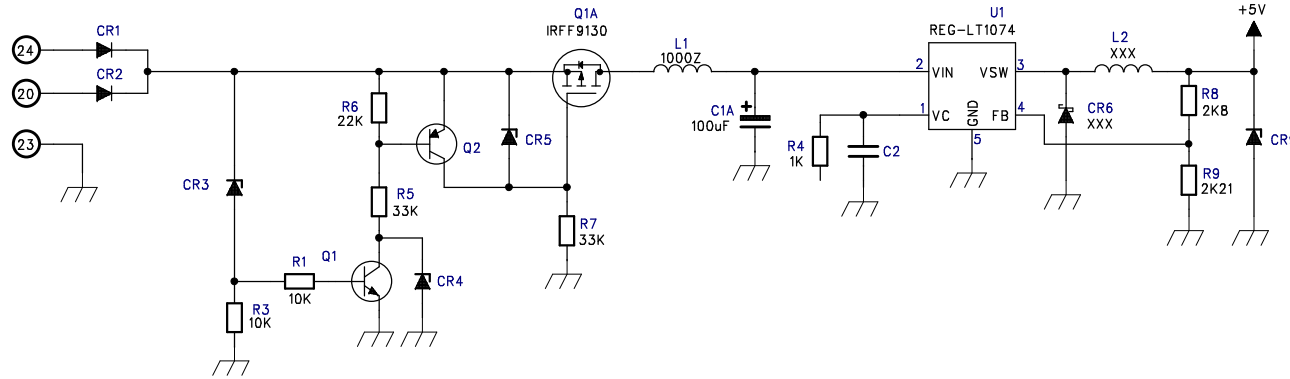
C

B

B

A

A



Reverse engineered by M. Waleczek

COMPANY:		Le labo de Michel		
TITLE:		FUEL QUANTITY INDICATOR 10106-03 BFGOODRICH SIMMONS PRECISION		
CODE:	SIZE:	DRAWING NO:	REV:	
	A4		A	

DRAWN:	DATED:
M. Waleczek	14/04/2025
CHECKED:	DATED:
QUALITY CONTROL:	DATED:
RELEASED:	DATED:

6

5

4

3

2

1

D

D

C

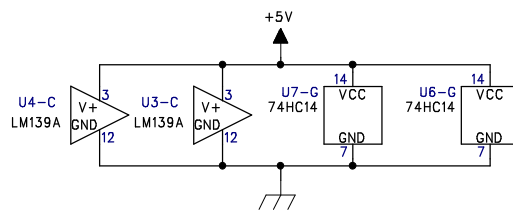
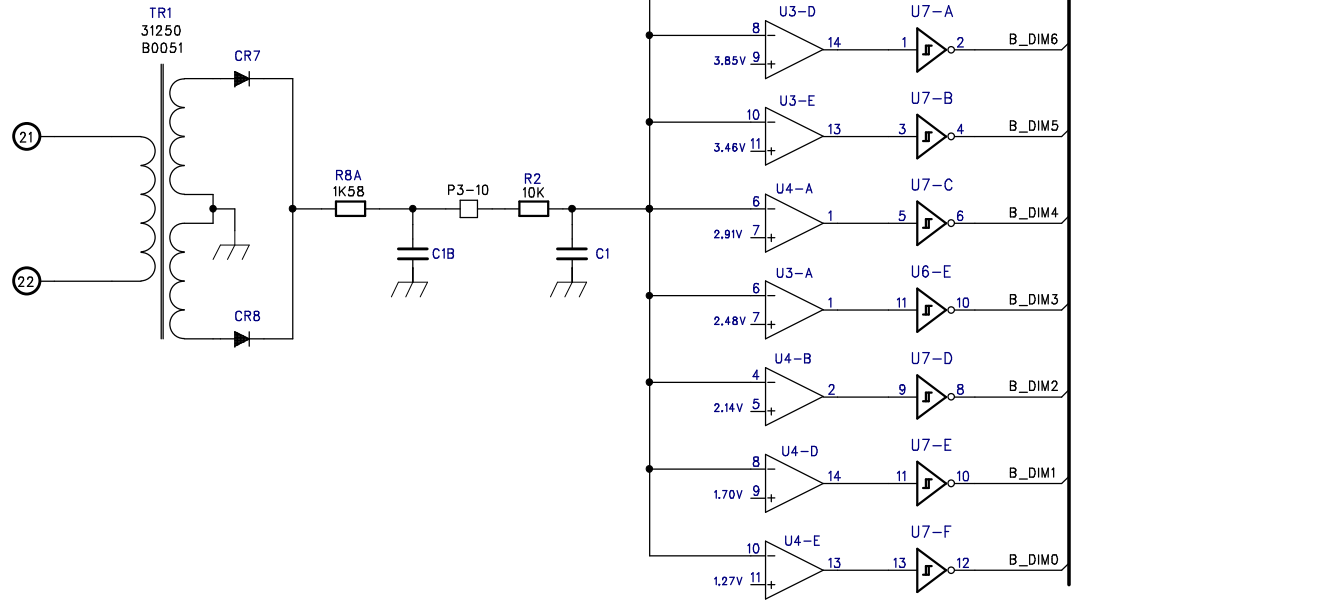
C

B

B

A

A



Reverse engineered by M. Waleczek

COMPANY: Le labo de Michel

TITLE: FUEL QUANTITY INDICATOR
10106-03
BFGOODRICH SIMMONS PRECISION

DRAWN: M. Waleczek	DATED: 14/04/2025
CHECKED:	DATED:
QUALITY CONTROL:	DATED:
RELEASED:	DATED:

CODE:	SIZE: A4	DRAWING NO:	REV: A
-------	--------------------	-------------	------------------

6

5

4

3

2

1

D

D

C

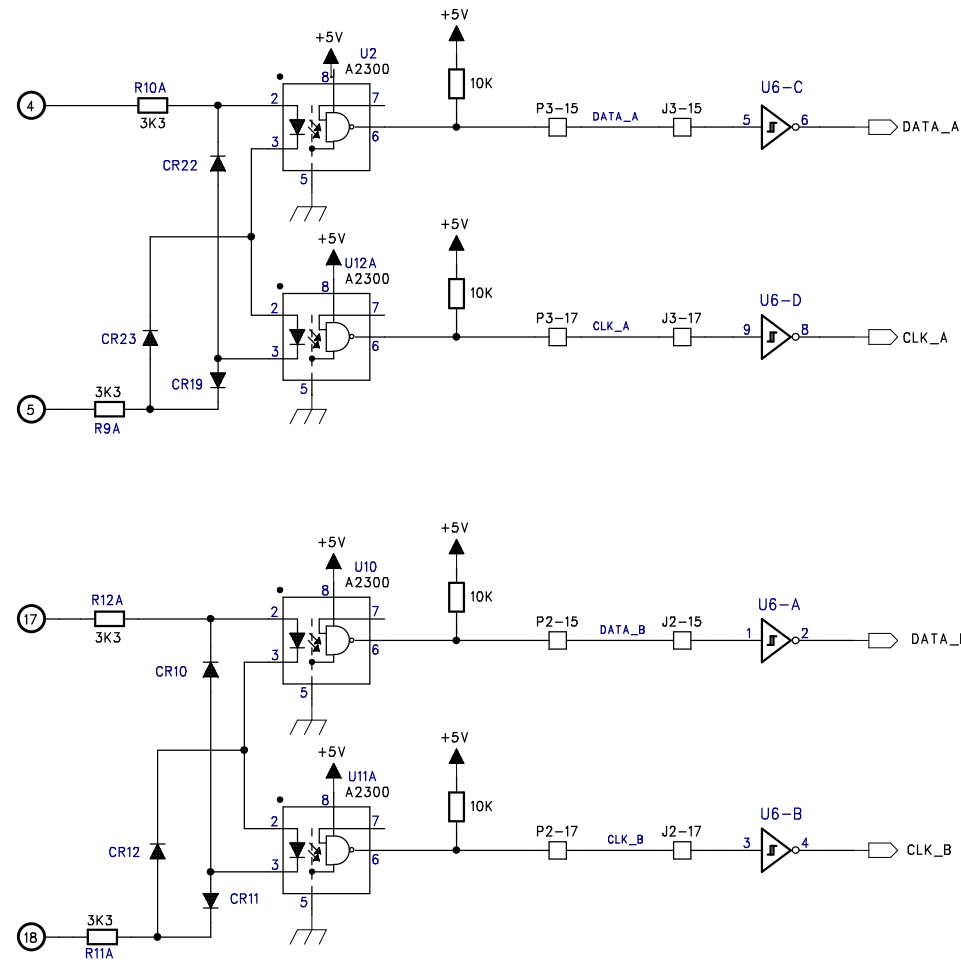
C

B

B

A

A



Reverse engineered by M. Waleczek

COMPANY: Le labo de Michel

TITLE: FUEL QUANTITY INDICATOR
10106-03
BFGOODRICH SIMMONS PRECISION

DRAWN: M. Waleczek	DATED: 14/04/2025
CHECKED:	DATED:
QUALITY CONTROL:	DATED:
RELEASED:	DATED:

CODE:	SIZE: A4	DRAWING NO:	REV: A
-------	--------------------	-------------	------------------

6 5 4 3 2 1

D

C

B

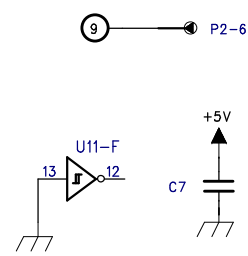
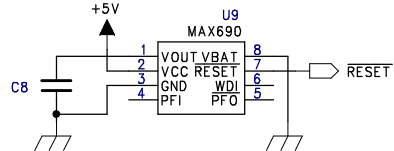
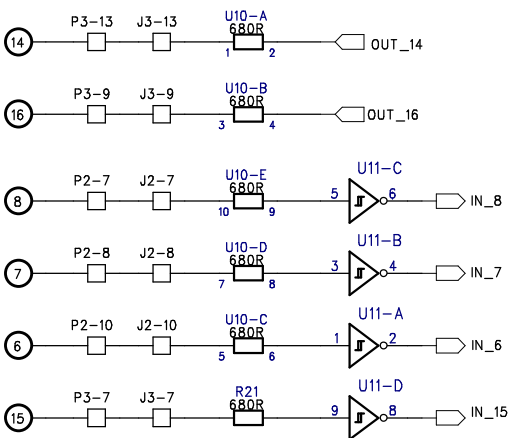
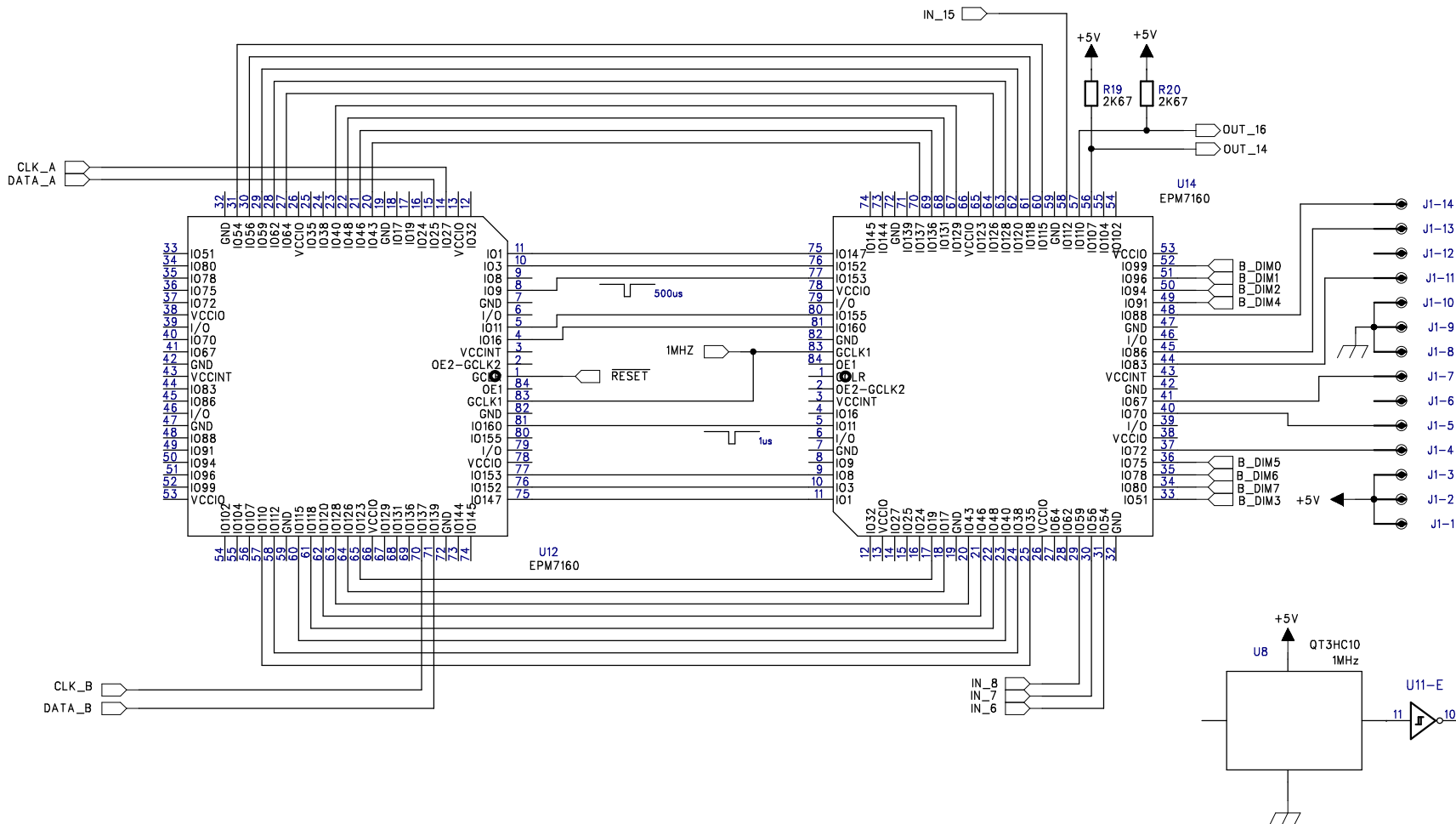
A

D

C

B

A



Reverse engineered by M. Waleczek

COMPANY: Le labo de Michel			
TITLE: FUEL QUANTITY INDICATOR 10106-03 BFGOODRICH SIMMONS PRECISION			
CODE:	SIZE: A4	DRAWING NO:	REV: A
SCALE:		SHEET: 4 OF 4	

DRAWN: M. Waleczek	DATED: 14/04/2025
CHECKED:	DATED:
QUALITY CONTROL:	DATED:
RELEASED:	DATED: