

1

2

3

4

5

6

7

E

D

C

B

A

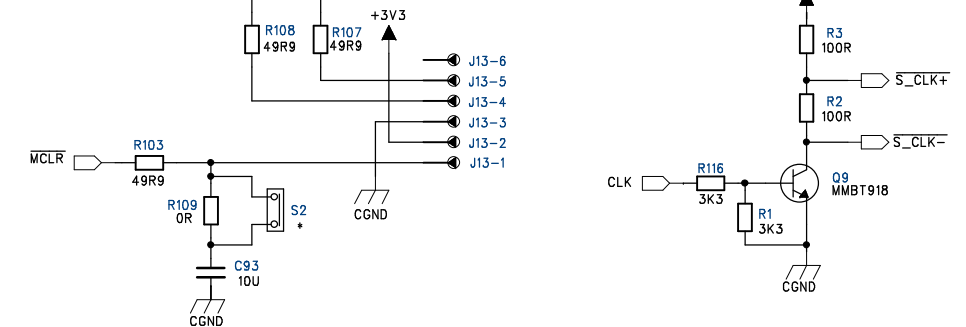
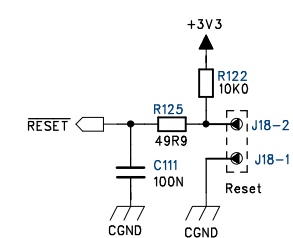
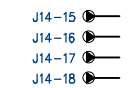
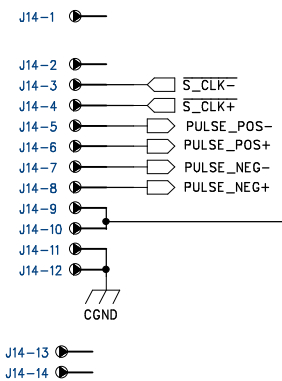
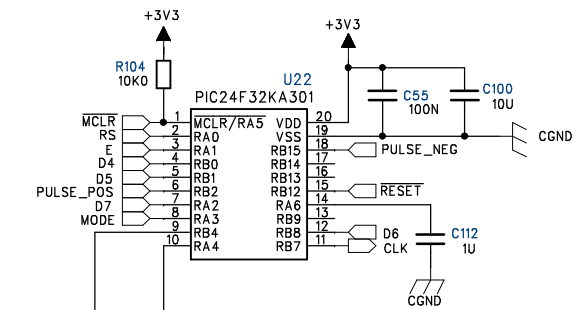
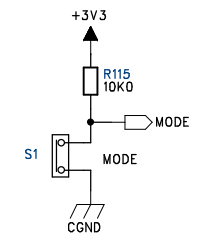
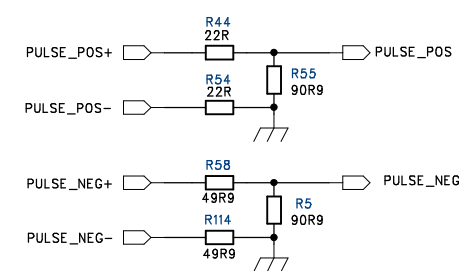
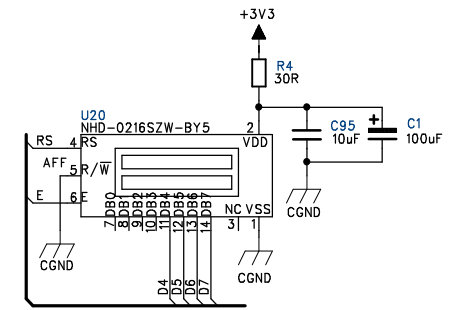
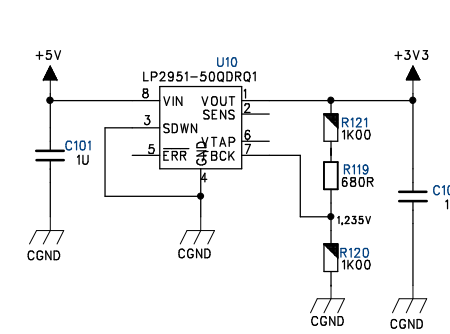
E

D

C

B

A



Pour ce document tous droits réservés
For this document all rights are reserved

MW INSTRUMENTS INDUSTRIELS
13 RUE DU LT COL QUINETTE 95200 SARCELLES

TITLE: **Tornado-S IMU test unit**

DRAWN:	MW	DATED:	18/03/2025
CHECKED:		DATED:	
QUALITY CONTROL:		DATED:	
RELEASED:		DATED:	

CODE:	SIZE:	DRAWING NO:	REV:
	A4		B

REVISION RECORD			
LTR	ECO NO:	APPROVED:	DATE:
A	Version originale		