

6

5

4

3

2

1

D

D

C

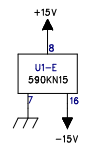
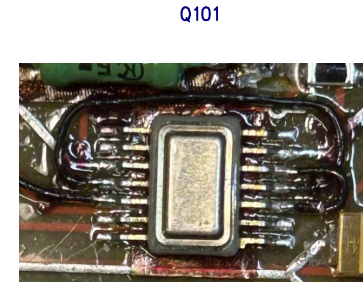
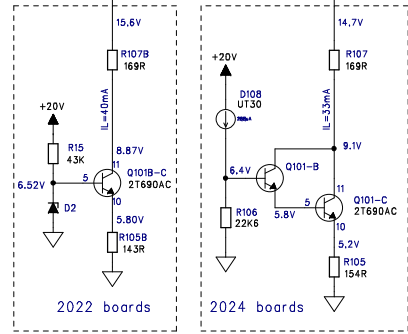
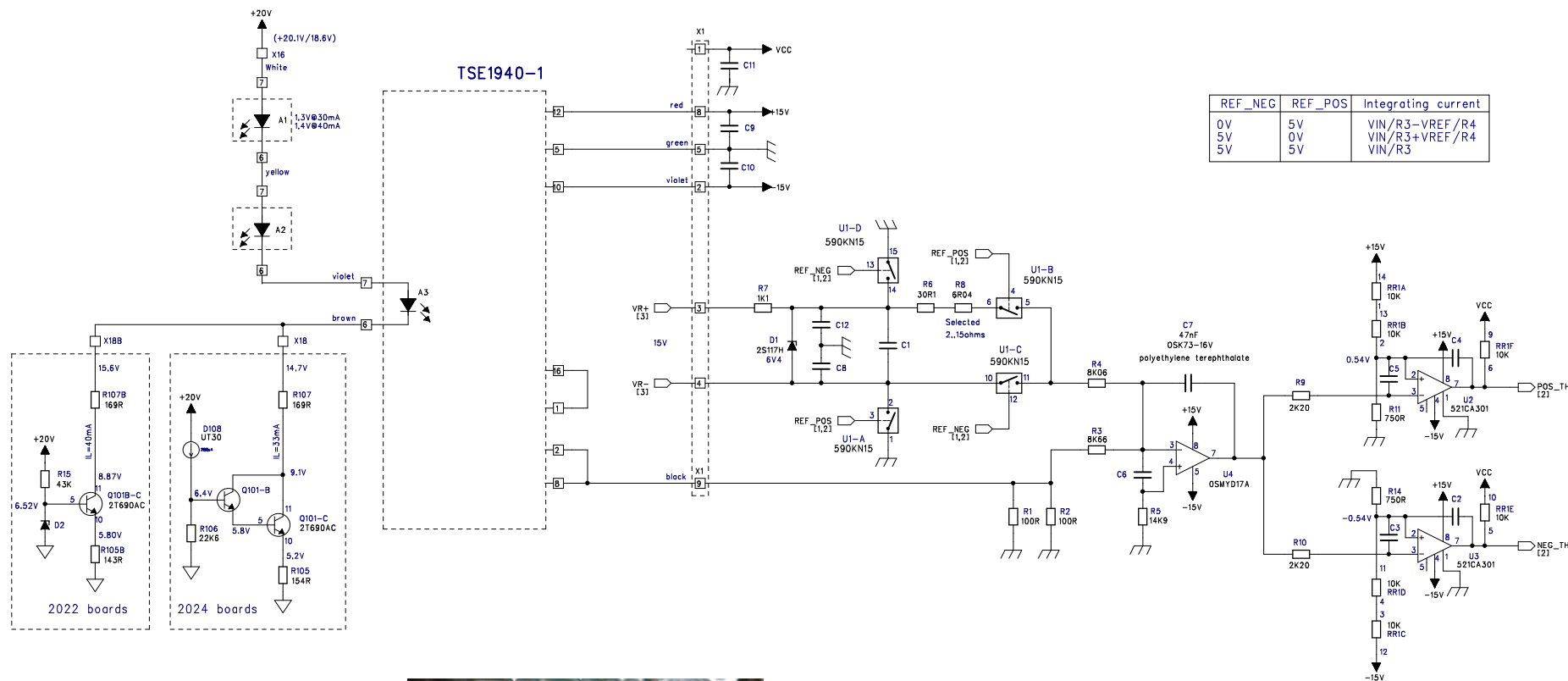
C

B

B

A

A



Reverse-engineered by M. Waleczek

COMPANY: <b>Le labo de Michel</b>			
TITLE: <b>Tornado-S Missile accelerometers assy ADC</b>			
CODE:	SIZE:	DRAWING NO: <b>LDM395</b>	REV: <b>D</b>
SCALE:			SHEET: 1 OF 4

DRAWN: M. Waleczek	DATED: 22/12/2024
CHECKED:	DATED:
QUALITY CONTROL:	DATED:
RELEASED: M. Waleczek	DATED: 13/03/2025

6

5

4

3

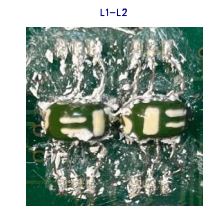
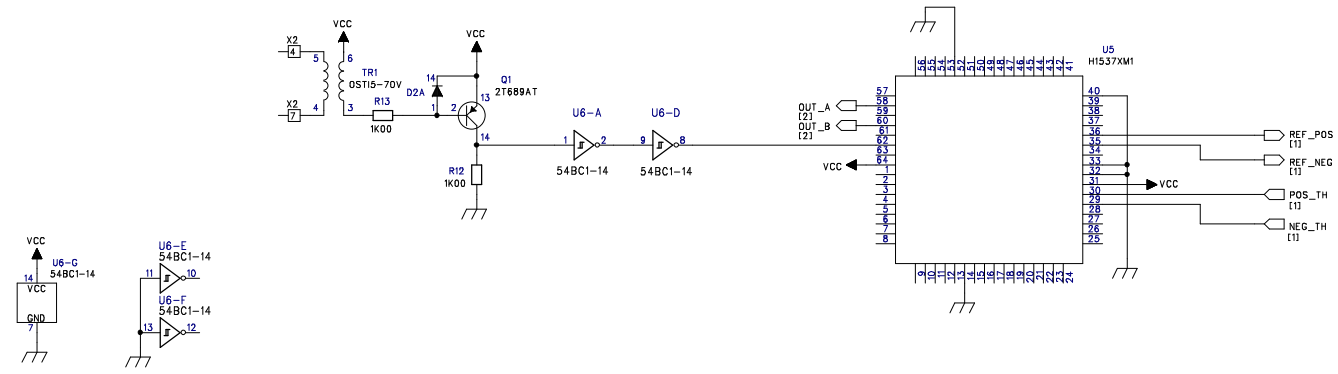
2

1

REVISION RECORD			
LTR	ECO NO:	APPROVED:	DATE:

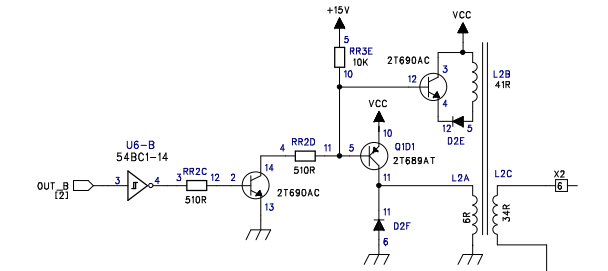
D

D



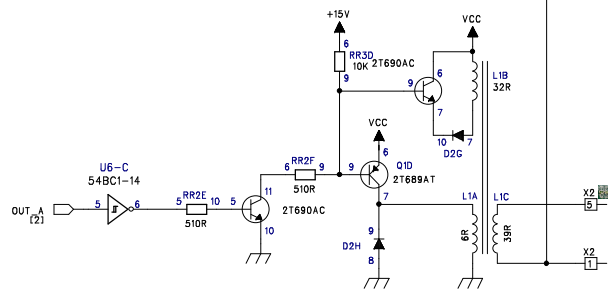
C

C



B

B



A

A



Reverse-engineered by M. Waleczek

COMPANY:		Le labo de Michel			
TITLE:		Tornado-S Missile accelerometers assy Digital circuits			
DRAWN:	M. Waleczek	DATED:	04/01/2025	DRAWING NO: <b>LDM395</b>	
CHECKED:		DATED:			REV: <b>D</b>
QUALITY CONTROL:		DATED:			
RELEASED:	M. Waleczek	DATED:	13/03/2025	SCALE:	
				SHEET: 2 OF 4	

6

5

4

3

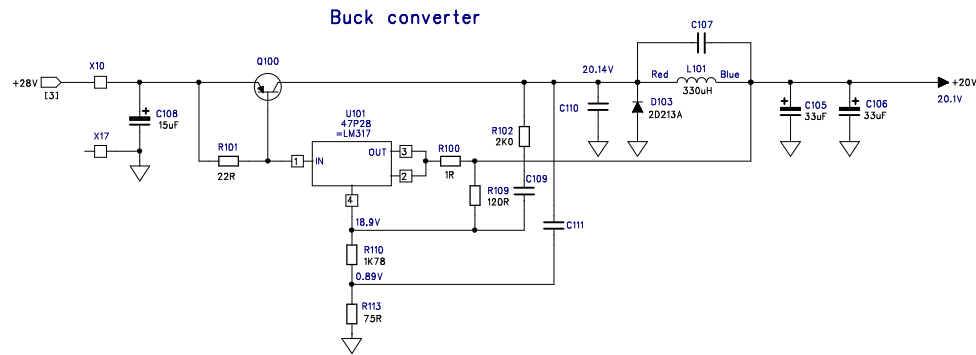
2

1

REVISION RECORD			
LTR	ECO NO:	APPROVED:	DATE:

D

D

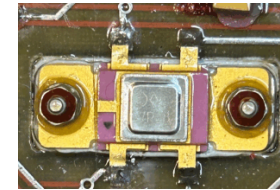


D103



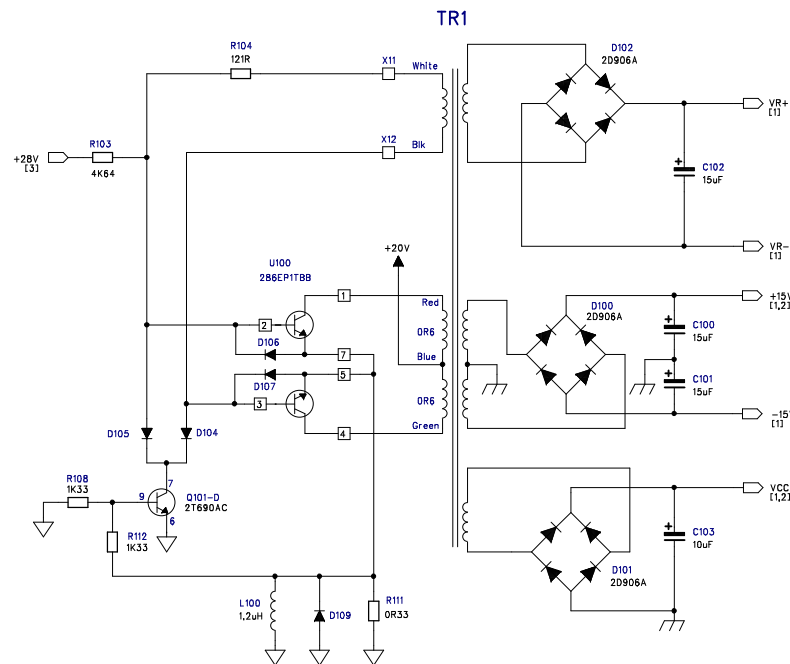
L101

U101



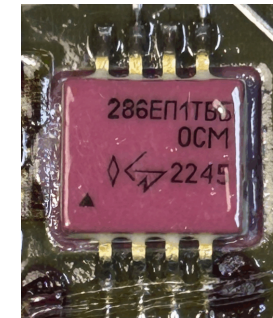
C

C



TR1

U100



3X



B

B

A

A

Reverse-engineered by M. Waleczek

COMPANY: Le labo de Michel

TITLE: Tornado-S Missile accelerometers assy Power supply board

DRAWN: M. Waleczek

DATED: 22/12/2024

CHECKED:

DATED:

QUALITY CONTROL:

DATED:

RELEASED: M. Waleczek

DATED: 13/03/2025

CODE:

SIZE:

DRAWING NO:

REV:

LDM395

D

SCALE:

SHEET: 3 OF 4