

6

5

4

3

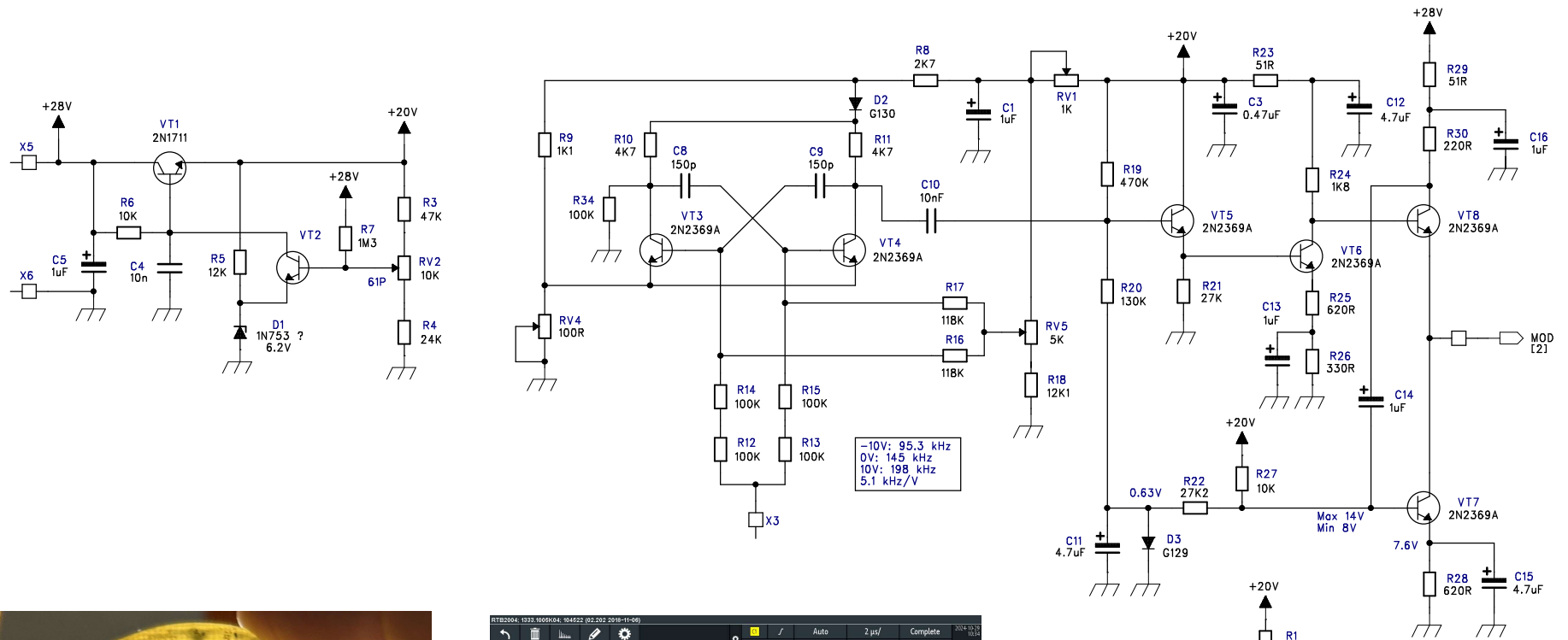
2

1

D

B

C

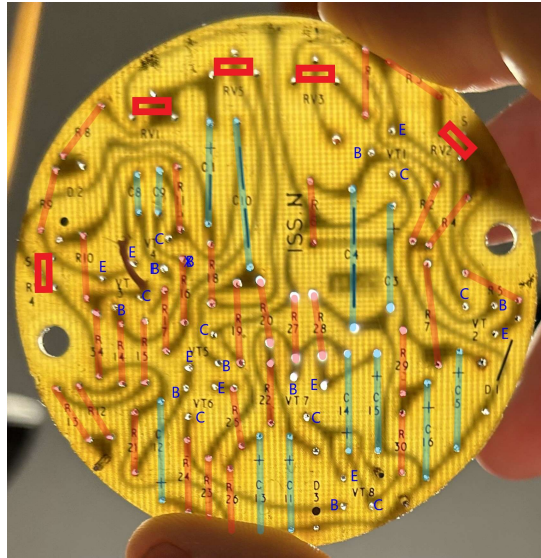


D

C

B

B



Reverse-engineered by M. Waleczek

COMPANY:				Le labo de Michel	
TITLE: <b>EMI ELECTRONICS ROCKET TELEMETRY TRANSMITTER Modulator</b>					
CODE:	SIZE:	DRAWING NO: <b>LDM384</b>		REV: <b>A</b>	
SCALE:				SHEET: 1 OF 2	

A

DRAWN: M. Waleczek	DATED: 29/10/2024
CHECKED:	DATED:
QUALITY CONTROL:	DATED:
RELEASED:	DATED:

6

5

4

3

2

1

REVISION RECORD			
LTR	ECO NO:	APPROVED:	DATE:

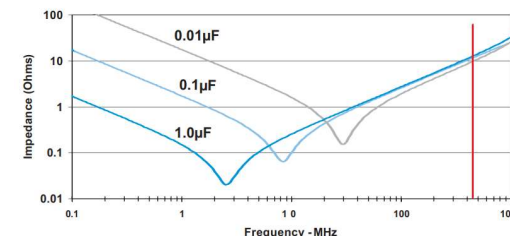
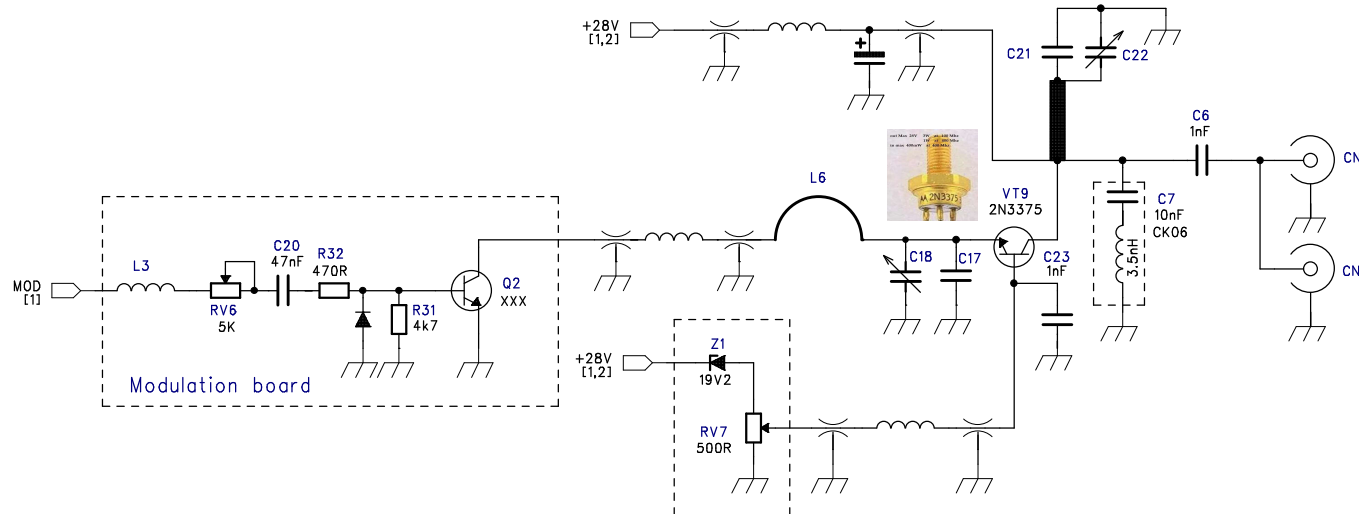
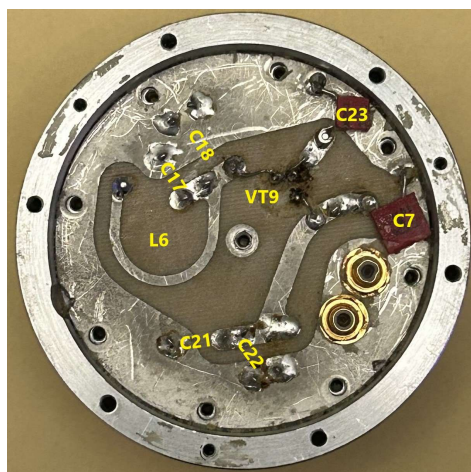


Figure 11. Impedance vs Frequency for X7R Dielectric  
5mm of wire at 450 MHz: 6 ohms



Reverse-engineered by M. Waleczek

COMPANY:		Le labo de Michel		
TITLE:		EMI ELECTRONICS ROCKET TELEMETRY TRANSMITTER High frequency circuit		
CODE:	SIZE:	DRAWING NO:	REV:	
		LDM384	A	
SCALE:		SHEET: 2 OF 2		

DRAWN:	DATED:
M. Waleczek	08/11/2024
CHECKED:	DATED:
QUALITY CONTROL:	DATED:
RELEASED:	DATED:

D

D

C

C

B

B

A

A