

6 5 4 3 2 1

D

D

C

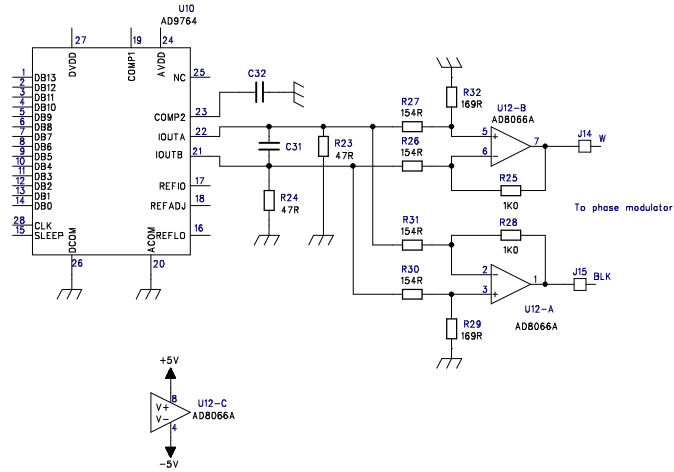
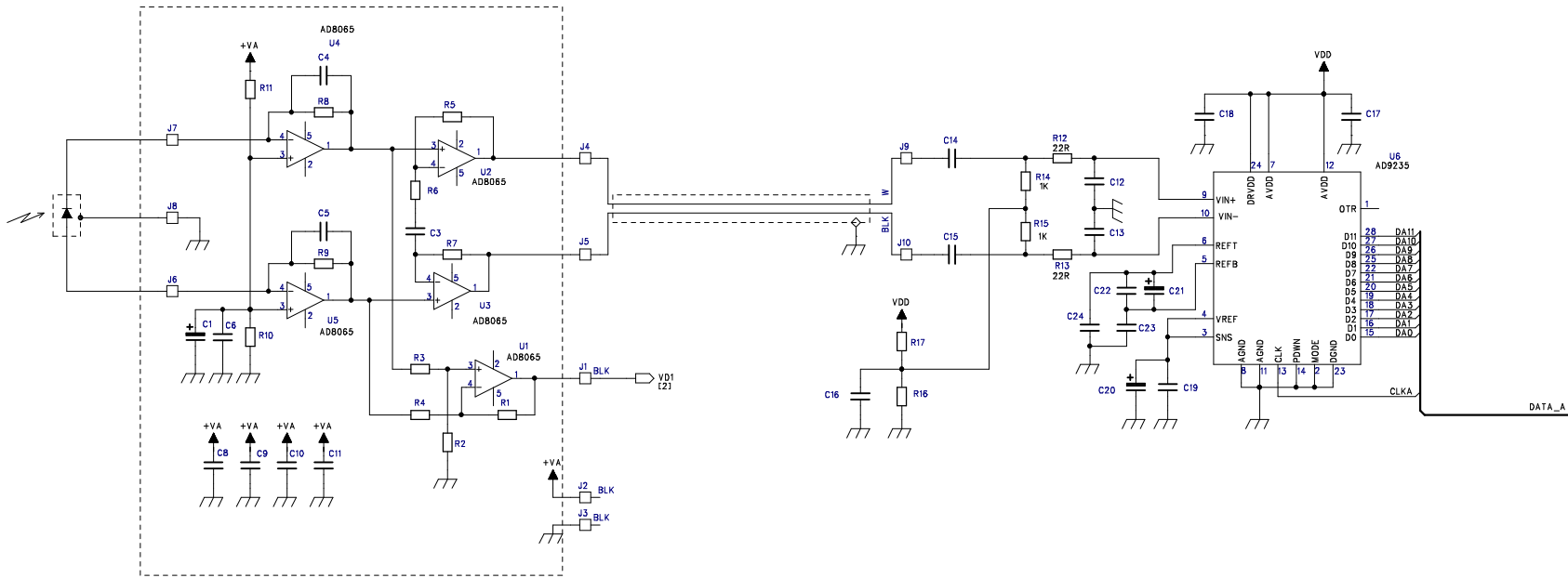
C

B

B

A

A



Reverse-engineered by M. Waleczek

COMPANY: Le labo de Michel

TITLE: TIUS-500 fiber-optic gyroscope
Detector & phase modulator generator

DRAWN: M. Waleczek	DATED: 08/08/2024
CHECKED:	DATED:
QUALITY CONTROL:	DATED:
RELEASED:	DATED:

CODE:	SIZE:	DRAWING NO:	REV: A
SCALE:			SHEET: 1 OF 4

6

5

4

3

2

1

REVISION RECORD			
LTR	ECO NO:	APPROVED:	DATE:

D

D

C

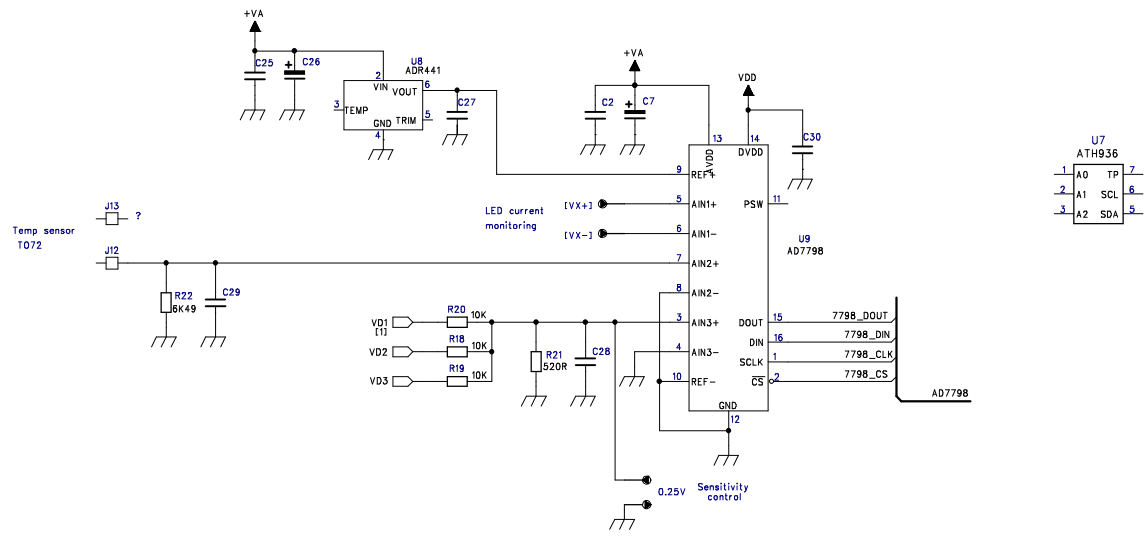
C

B

B

A

A



U7 ATH936		
1	A0	TP
2	A1	SCL
3	A2	SDA

Reverse-engineered by M. Waleczek

COMPANY: Le labo de Michel

TITLE: TIUS-500 fiber-optic gyroscope System ADC

DRAWN: M. Waleczek	DATED: 08/08/2024
CHECKED:	DATED:
QUALITY CONTROL:	DATED:
RELEASED:	DATED:

CODE:	SIZE:	DRAWING NO:	REV: A
SCALE:			SHEET: 2 OF 4

6

5

4

3

2

1

REVISION RECORD			
LTR	ECO NO:	APPROVED:	DATE:

D

D

C

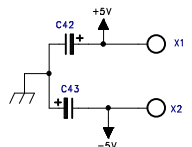
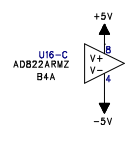
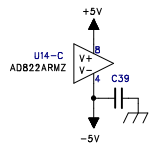
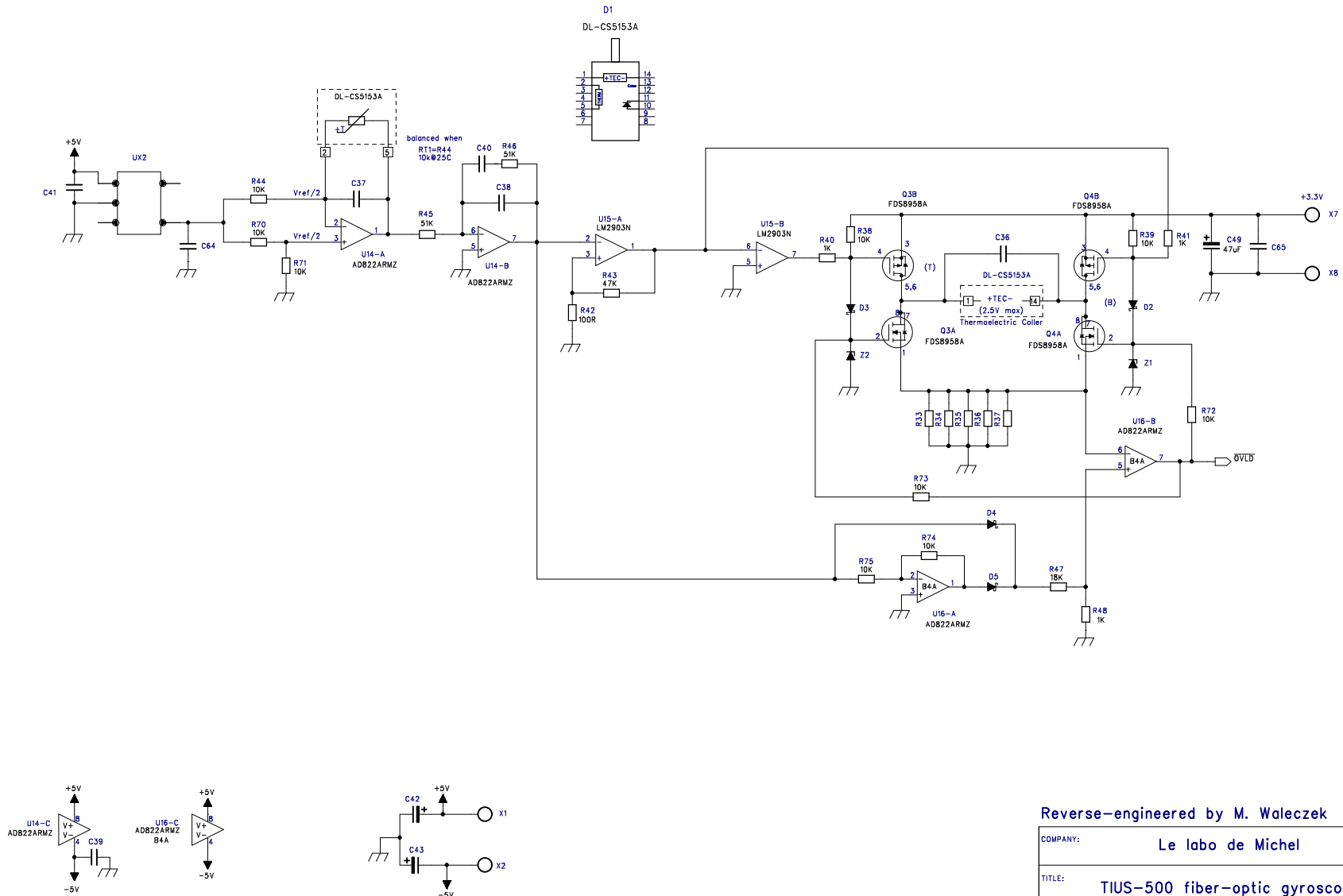
C

B

B

A

A



Reverse-engineered by M. Waleczek

COMPANY: Le labo de Michel

TITLE: TIUS-500 fiber-optic gyroscope SLED temperature regulation

DRAWN: M. Waleczek	DATED: 08/08/2024
CHECKED:	DATED:
QUALITY CONTROL:	DATED:
RELEASED:	DATED:

CODE:	SIZE:	DRAWING NO:	REV:
SCALE:	SHEET: 3 OF 4		

6

5

4

3

2

1

REVISION RECORD			
LTR	ECO NO:	APPROVED:	DATE:

D

D

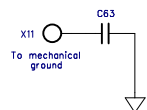
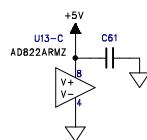
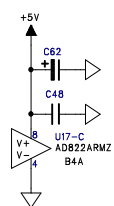
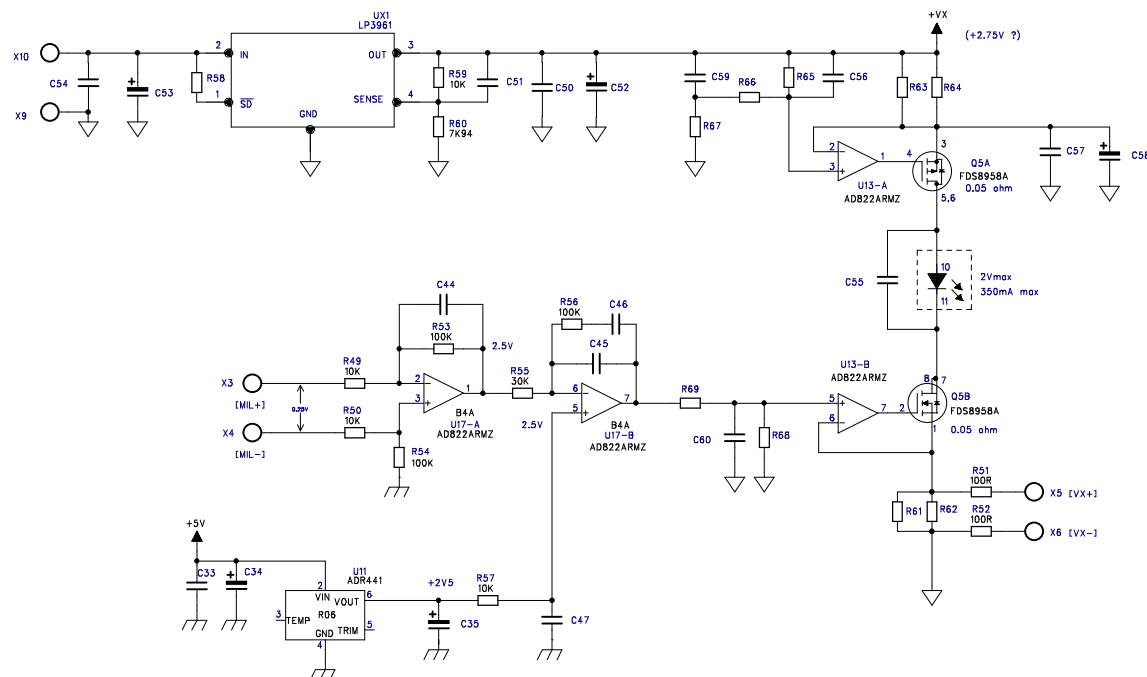
C

C

B

B

A



Reverse-engineered by M. Waleczek

COMPANY: Le labo de Michel

TITLE: TIUS-500 fiber-optic gyroscope SLED source regulation

DRAWN: M. Waleczek	DATED: 08/08/2024
CHECKED:	DATED:
QUALITY CONTROL:	DATED:
RELEASED:	DATED:

CODE:	SIZE:	DRAWING NO:	REV: A
SCALE:			SHEET: 4 OF 4

A