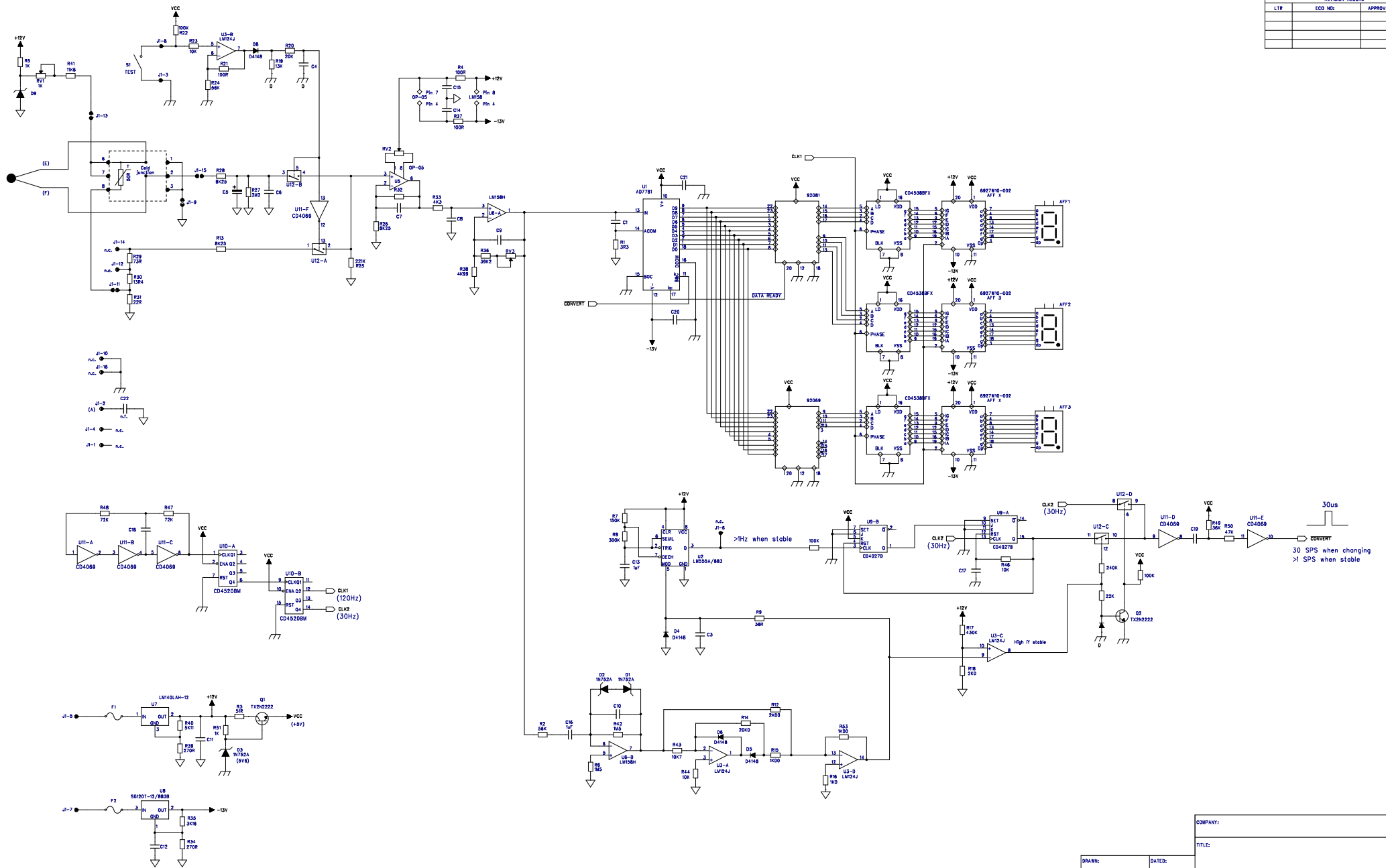


6 5 4 3 2 1

| REVISION RECORD | | | |
|-----------------|---------|----------|------|
| LT# | ECO NO. | APPROVED | DATE |
| | | | |
| | | | |
| | | | |



| | | | | | |
|------------------|--------|--------|-------|--------------|------|
| COMPANY: | | | | | |
| TITLE: | | | | | |
| DRAWN: | DATED: | CODE: | SIZE: | DRAWING NO.: | REV: |
| CHECKED: | DATED: | | | | |
| QUALITY CONTROL: | DATED: | | | | |
| RELEASED: | DATED: | SCALE: | | SHEET: | OF |

D

D

C

C

B

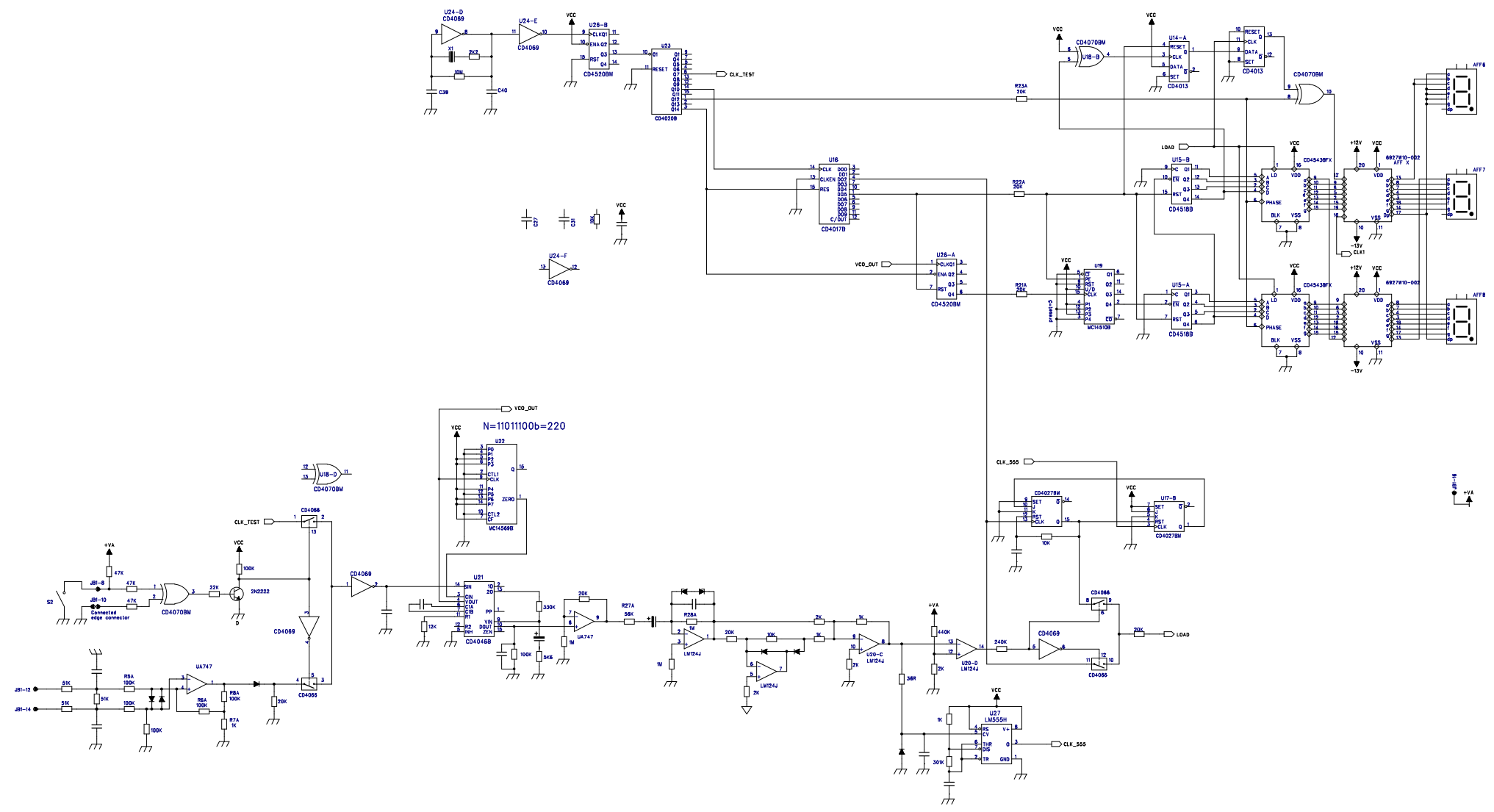
B

A

A

6 5 4 3 2 1

| REVISION RECORD | | | |
|-----------------|---------|----------|------|
| LTR | ECO NO. | APPROVED | DATE |
| | | | |
| | | | |
| | | | |



| | | | | | | | | | | | |
|------------------|--|--------|--|--------|--|--------|--|--------------|--|-------|--|
| DRAWN: | | DATED: | | CODE: | | SIZE: | | DRAWING NO.: | | REV.: | |
| CHECKED: | | DATED: | | SCALE: | | SHEET: | | OF | | | |
| QUALITY CONTROL: | | DATED: | | | | | | | | | |
| RELEASED: | | DATED: | | | | | | | | | |

D

D

C

C

B

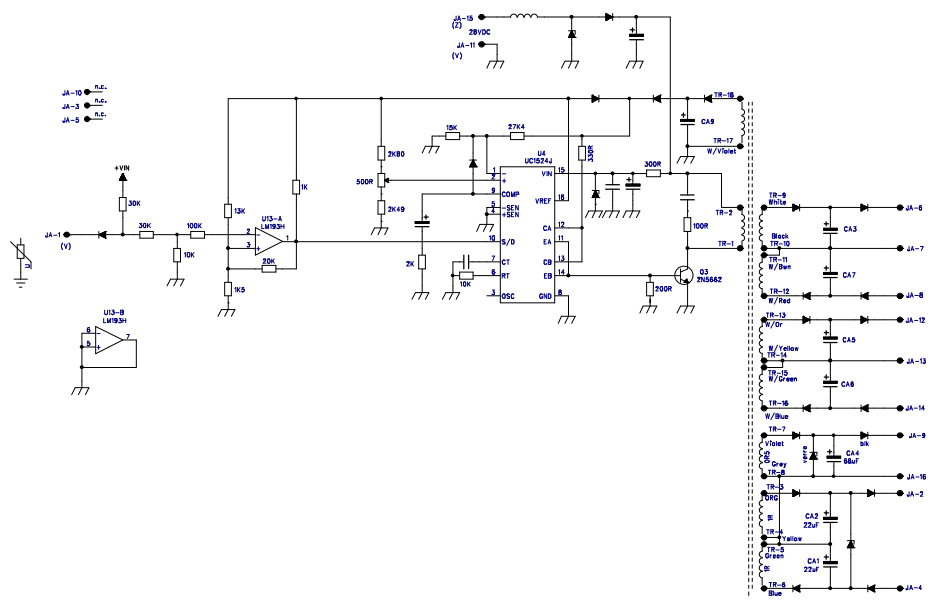
B

A

A

6 5 4 3 2 1

| REVISION RECORD | | | |
|-----------------|---------|----------|------|
| LT# | ECO NO. | APPROVED | DATE |
| | | | |
| | | | |
| | | | |



| | | | | |
|------------------|--------|--------|-----------|-------------|
| COMPANY: | | | | |
| TITLE: | | | | |
| DRAWN: | DATED: | CODE: | SIZE: | DRAWING NO: |
| CHECKED: | DATED: | | | REV: |
| QUALITY CONTROL: | DATED: | | | |
| RELEASED: | DATED: | SCALE: | SHEET: OF | |

6

5

4

3

2

1

| REVISION RECORD | | | |
|-----------------|---------|----------|------|
| LTR | ECO NO. | APPROVED | DATE |
| | | | |
| | | | |
| | | | |

D

D

C

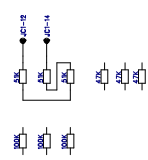
C

B

B

A

A



| | | | |
|------------------|--------|--------------|-----------|
| COMPANY: | | | |
| TITLE: | | | |
| DRAWN: | DATED: | CODE: | SIZE: |
| CHECKED: | DATED: | DRAWING NO.: | REV.: |
| QUALITY CONTROL: | DATED: | | |
| RELEASED: | DATED: | SCALE: | SHEET: OF |

| | |
|------------------|--------|
| DRAWN: | DATED: |
| CHECKED: | DATED: |
| QUALITY CONTROL: | DATED: |
| RELEASED: | DATED: |