

REVISION RECORD			
LTR	ECO NO:	APPROVED:	DATE:

6

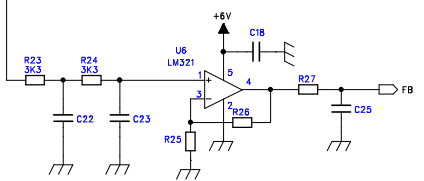
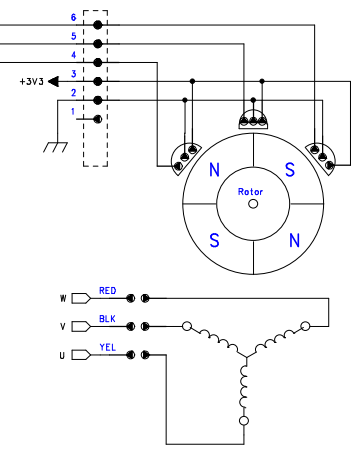
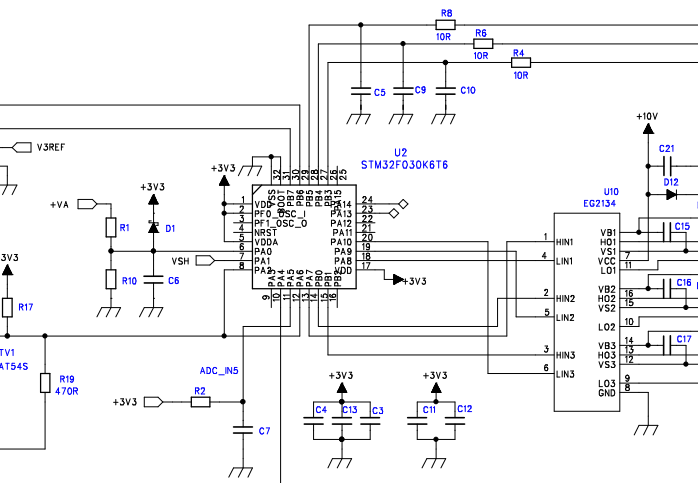
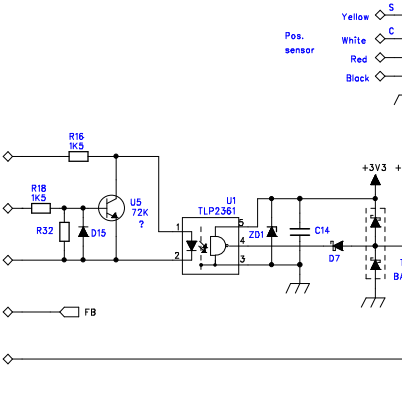
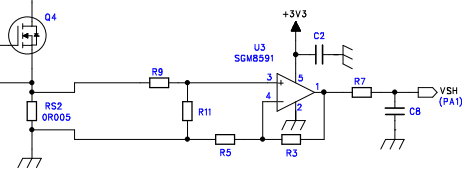
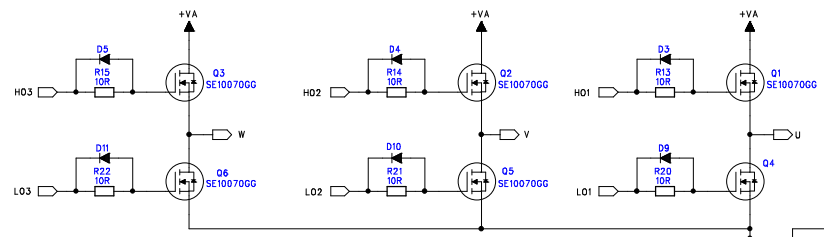
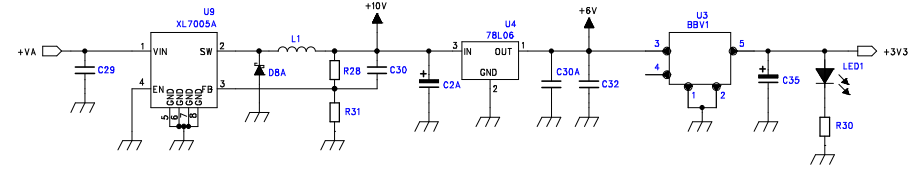
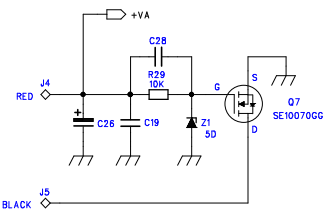
5

4

3

2

1



Reverse engineered by M. Waleczek June 2024

COMPANY: Le labo de Michel

TITLE: SHAHED 136 / GERAN 2 Servomotor

DRAWN: M. Waleczek	DATED: 18/06/24
CHECKED:	DATED:
QUALITY CONTROL:	DATED:
RELEASED: M. Waleczek	DATED: 23/06/24

CODE:	SIZE:	DRAWING NO:	REV: B
SCALE:			SHEET: 1 of 1